

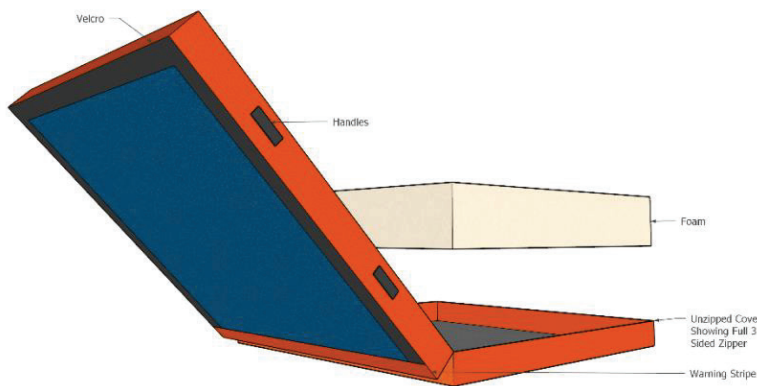
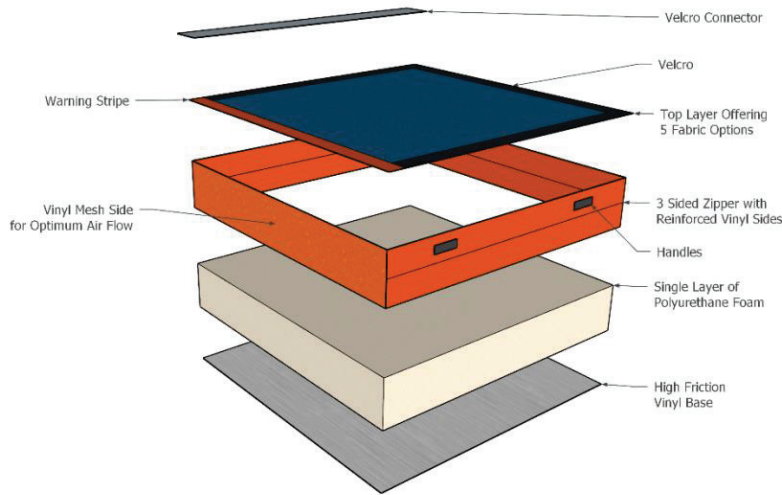


ATHLETIC FACILITIES

MODULAR BOULDER FLOOR
PADDING SYSTEM

MODULAR BOULDER FLOOR PADDING SYSTEM MODEL 22R AND 23R

STANDARD SIZES INCLUDE 8'X8', 6'X8', AND 4'X8'
*CUSTOM SIZES AND WEATHER COVER OPTIONS AVAILABLE



Top Fabric: Sewn directly into the side 21oz Vinyl Side Wall. The loop Velcro and warning stripe (if applicable) is sewn into this fabric as well. UCS offers an industry leading (5) different fabric options including; 1050D Ballistic Nylon, 1680D Ballistic Nylon, 1000D Cordura, 21oz Knife Coated Vinyl, and 26oz Needle Punch Carpet. Numerous color options are available.

Side Wall: Made up of a UCS exclusive 3 Sided Zipper sewn into a reinforced 21oz Knife Coated Vinyl allowing for full clam shell access to the foam. The fourth side is made of a 1000D 14x12 PVC Extruded Mesh for Optimum Airflow. All Vinyl Sides include at least 2 Easy Carry Handles.

Foam: A single layer of highly resilient, filler-free foam increases life by decreasing friction and reducing movement. Foam has been tested to pass EN 12572-2 and recommended HIC and GMAX scores.

Base Fabric: 21oz Rip Stop Knife Coated Vinyl which fully encloses and protects the foam.

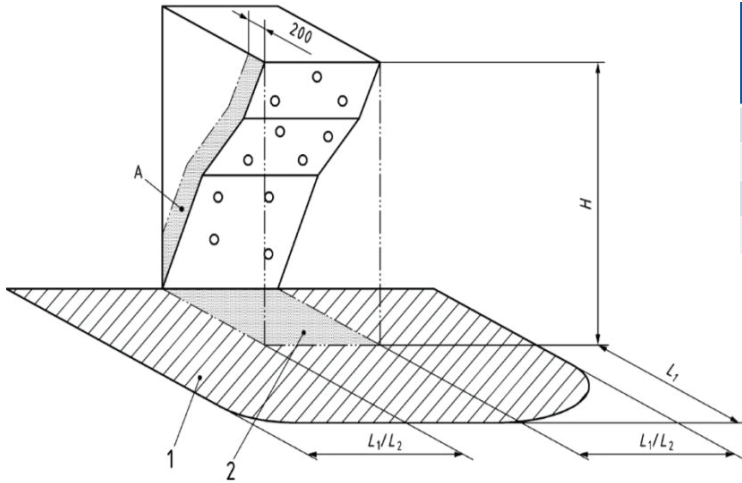
Warning Stripe: Signifies abrupt change in elevation from finished floor and top of bouldering pad. Standard UCS Vinyl Color Swatch can be used to select colors.

Velcro Connector: Securely connects pads together to prevent body parts or other foreign bodies from getting between pads. Corners are reinforced by PTX under the Velcro.

Wall Attachment: Pads are attached to the climbing wall via a Velcro flap which is secured to the wall with a 3/4" x 2" wood strip.

Fire Rating: UCS Modular Boulder Floor pads pass California Bulletin 117-2013. Surface burning characteristics vary based on fabric.

STANDARD SIZES INCLUDE 8'X8', 6'X8', AND 4'X8'
*CUSTOM SIZES AND WEATHER COVER OPTIONS AVAILABLE



Height of Wall	Size of the impact area in front of the climbing wall	Size of the side impact area for walls ≤ 10' and no holds on the side	Size of the side impact area for walls > 10'
H	L1	L2	L2
0 to ≤ 9'10" (3m)	6'6" (2m)	50% of the height	50% of the height
> 9'10" to ≤ 14'9"	8'2" (2.5m)	5' (1.5m)	

Note: Holds in the area A are considered as a part of the front of the wall

Impact Area Requirements:

UCS Climbing follows the standard fall zone requirements described in EN 12572-2. If the full impact area cannot be padded due to other structures in the space, UCS will suggest different options to pad such structures.

UCS Climbing prides itself on offering the most fabric options for their boulder floor padding systems than any other company. With the many different fabric options also comes numerous color combinations. See below for fabric and Color Options.

21oz Knife Coated Vinyl:

To be used on all Side Walls and Warning Stripes. If chosen as top fabric option, will need to be selected.

Fire Ratings:

Passes E-84, NFPA 701, NFPA 253



Example: The University of Miami – Coral Gables, FL



STANDARD SIZES INCLUDE 8'X8', 6'X8', AND 4'X8'
*CUSTOM SIZES AND WEATHER COVER OPTIONS AVAILABLE

1050D Ballistic Nylon:

If chosen as top fabric option, will need to be selected.

Fire Ratings: NFPA 701, NFPA 253

* 1050D Ballistic is only available in black due to the nature of the filaments used to make the fabric



COLORS

Example:

Baylor University – Waco, TX



1680D Ballistic Nylon

If chosen as top fabric option, will need to be selected.

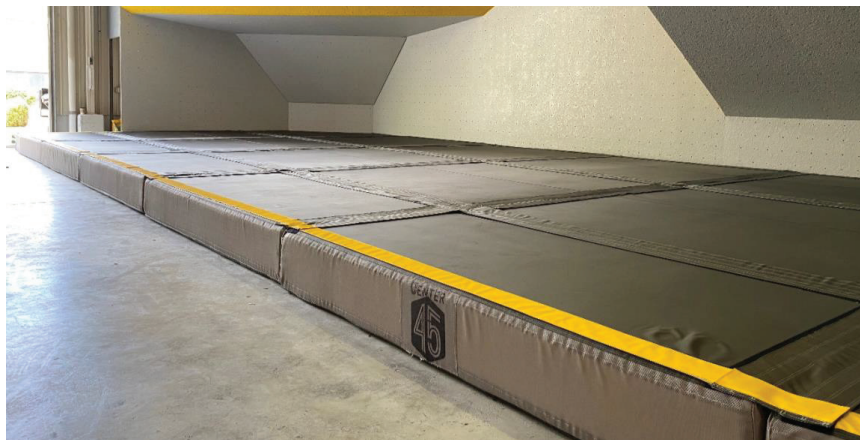
Fire Ratings: NFPA 701, NFPA 253



COLORS

Example:

Center 45 Climbing Gym – Boone, NC

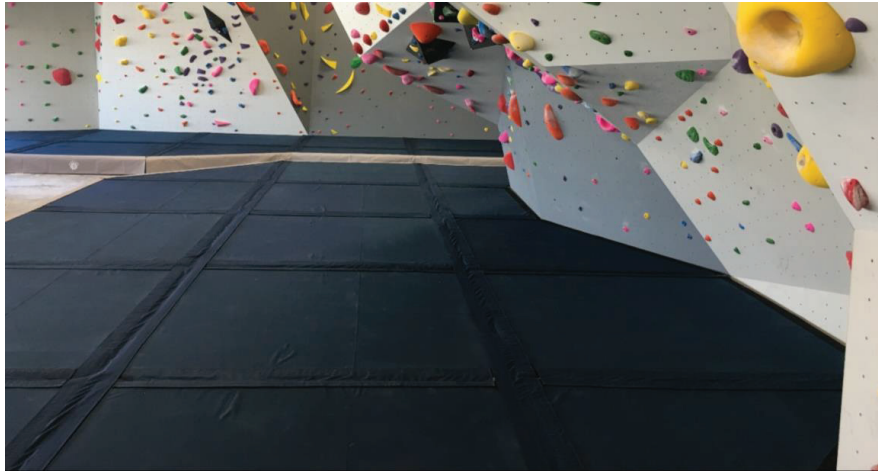


STANDARD SIZES INCLUDE 8'X8', 6'X8', AND 4'X8'
*CUSTOM SIZES AND WEATHER COVER OPTIONS AVAILABLE

1000D Cordura:
If chosen as top fabric option, will need to be selected.



Example:
The Proving Ground
Climbing Gym
– Normal, IL



26 oz Need Punch Carpet Top Sheet:

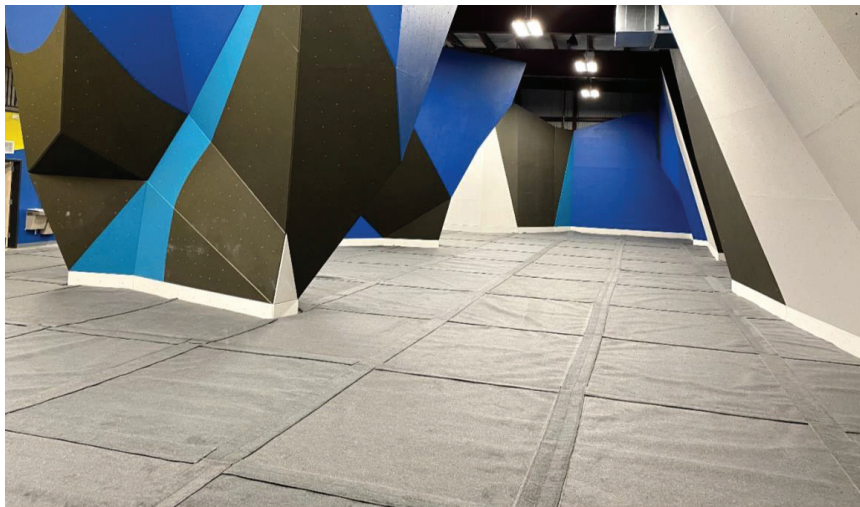
If chosen as top fabric option, will need to be selected.

Fire Ratings:

Passes
E-84, NFPA
701, ASTM D 2859

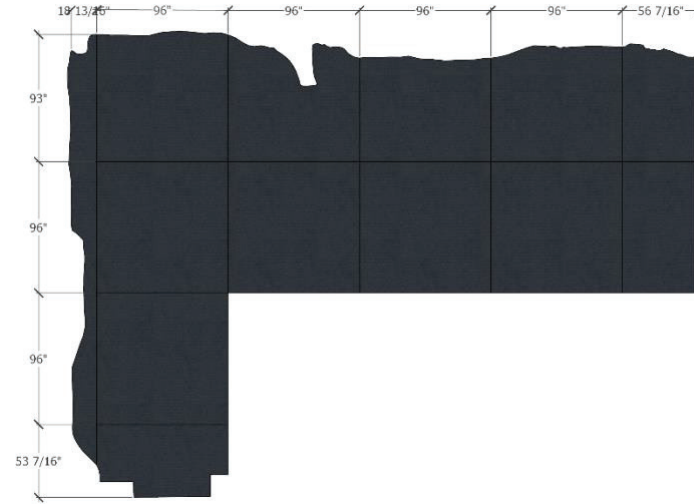


Example:
Evo Climbing
and Fitness –
Golden, CO

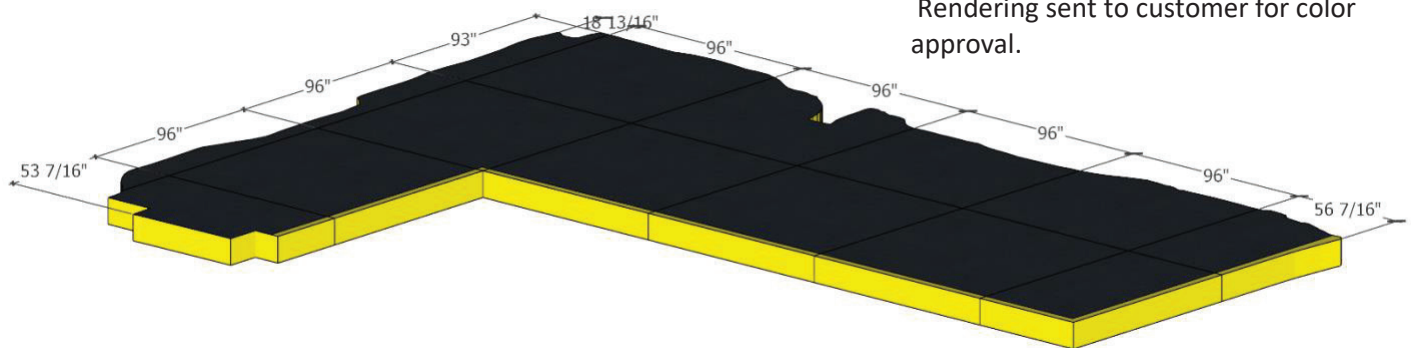


STANDARD SIZES INCLUDE 8'X8', 6'X8', AND 4'X8'
*CUSTOM SIZES AND WEATHER COVER OPTIONS AVAILABLE

Example Layout:



Plan View of Layout Based on Site Measurements of Fall Zones and Base of Wall.



Rendering sent to customer for color approval.



Finished Modular Boulder Padding System Installed.