



THROWING CAGES

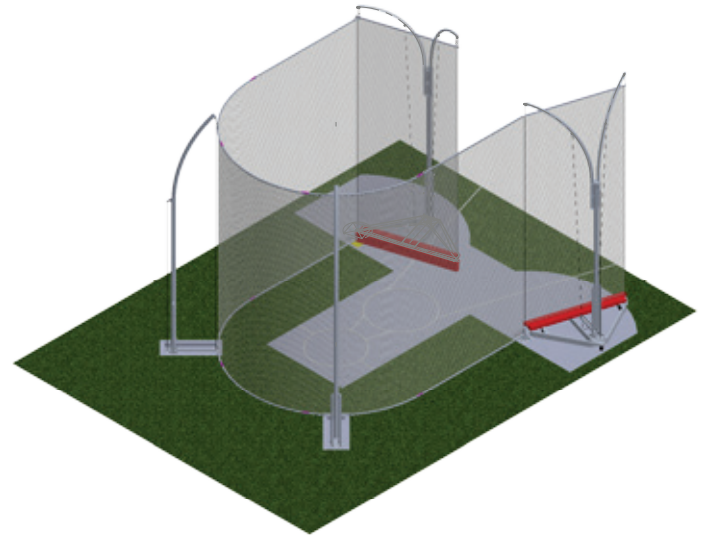
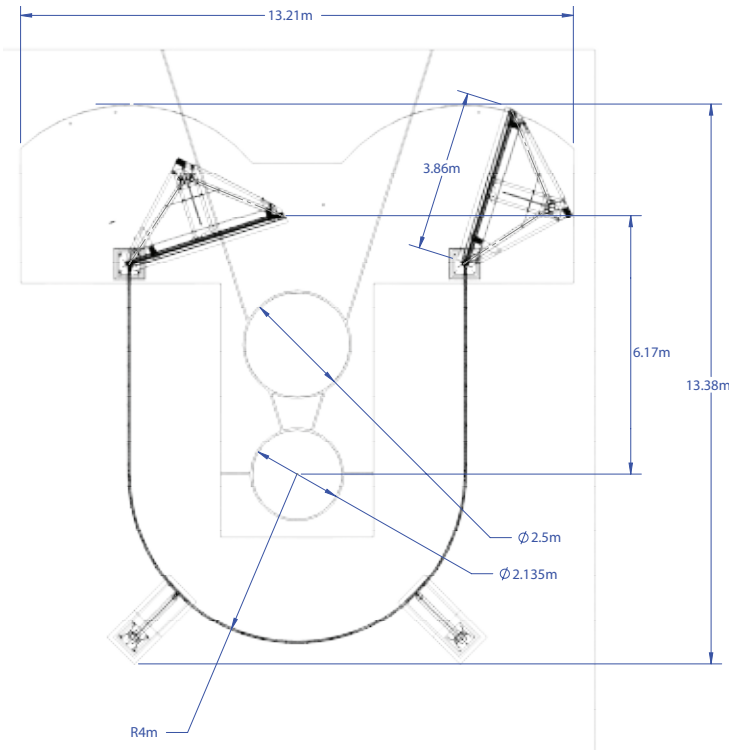
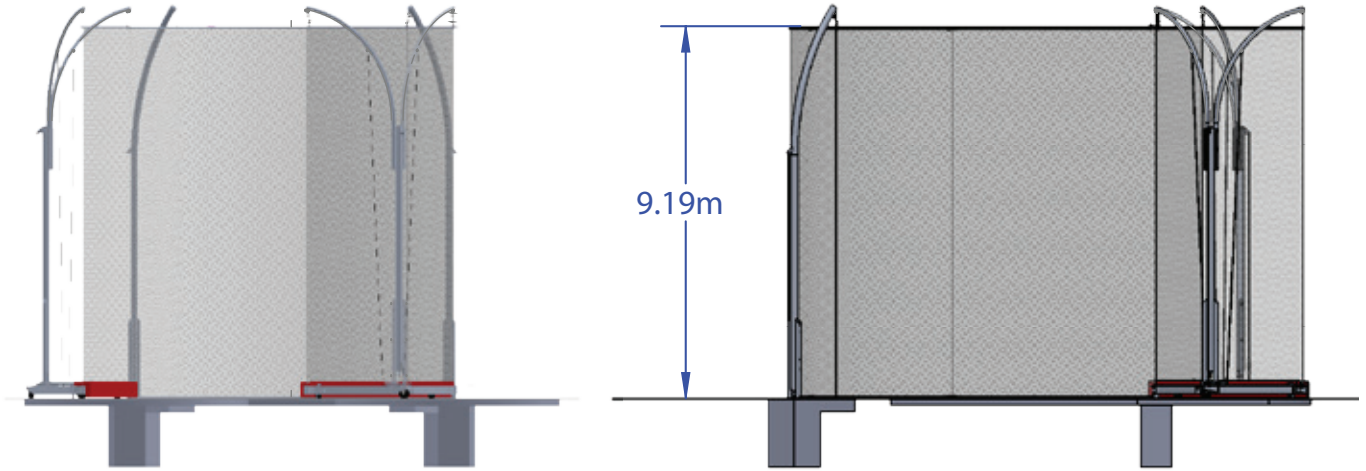
- Hammer/Discus Cages
- Discus Cages - High School, NCAA
- Shot Put Cages
- Indoor Cages

RULE AND STANDARD COMPLIANCE
NCAA



- 1-piece net system is offset from structure, preventing post and net damage from hammer.
- Anchoring points are recessed and be covered with lids, allowing multiple purpose field usage.
- Pulley and rope system allows net to be raised and lowered quickly.
- 4-post design increases spectator and officials' visibility.
- Cage can be removed entirely without heavy equipment or special tools.

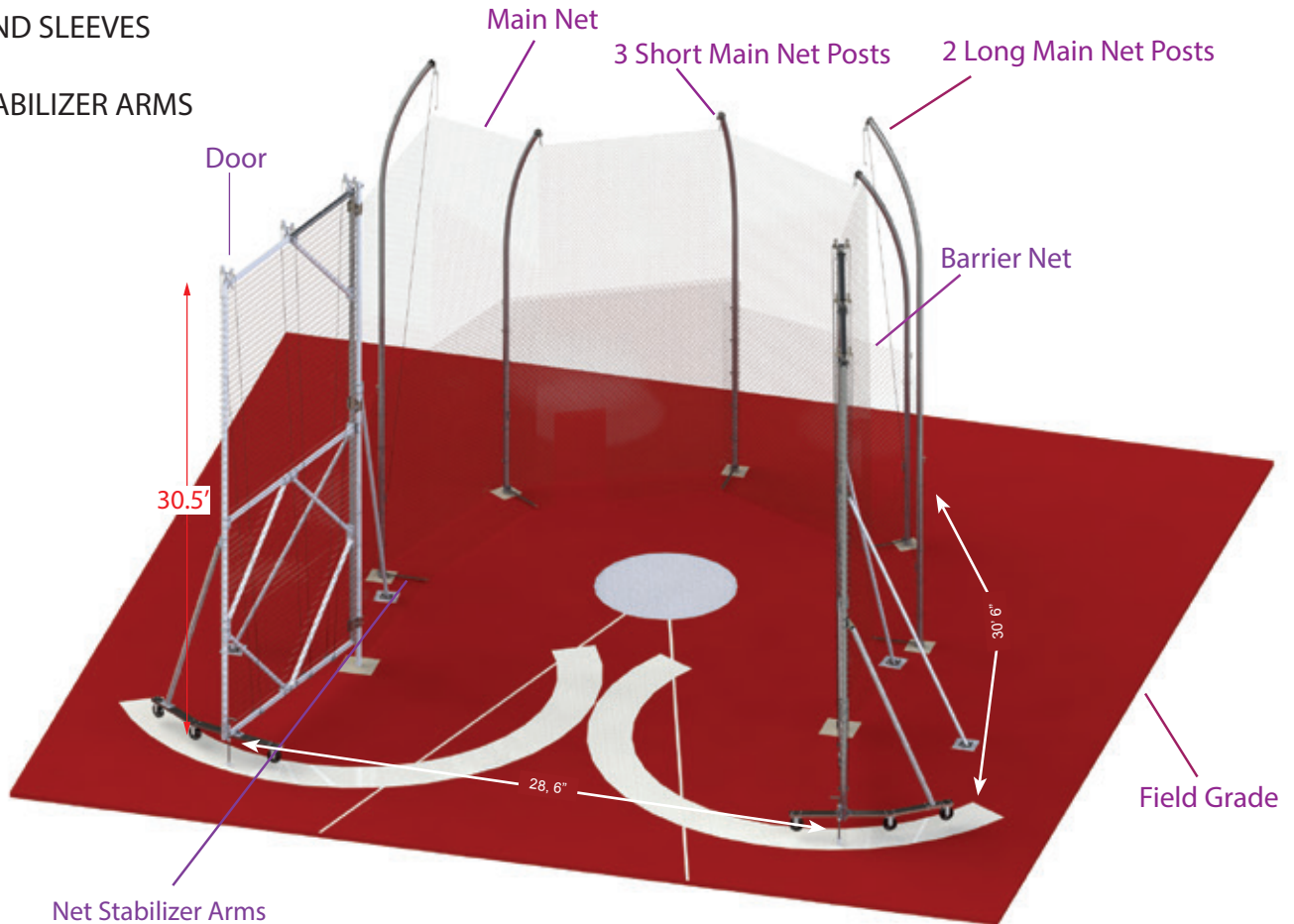
RULE AND STANDARD COMPLIANCE
NCAA



RULE AND STANDARD COMPLIANCE
NCAA

COMPONENTS

- A. MAIN NET POSTS
- B. DOOR POSTS
- C. DOORS
- D. GROUND SLEEVES
- E. NETS
- F. NET STABILIZER ARMS



PROPRIETARY & CONFIDENTIAL
THE INFORMATION CONTAINED ON THIS PAGE IS THE SOLE PROPERTY OF UCS, INC. ANY REPRODUCTION IN PART, OR AS A WHOLE, WITHOUT THE WRITTEN PERMISSION OF UCS, INC., IS PROHIBITED.

NCAA SUPER 30 HAMMER DISCUS CAGE WITH
GROUND SLEEVES AND 30' DOOR HEIGHT

ENGINEERED, DESIGNED, AND CONSTRUCTED TO ENSURE A UCS PERFECT FIT.

RULE AND STANDARD COMPLIANCE

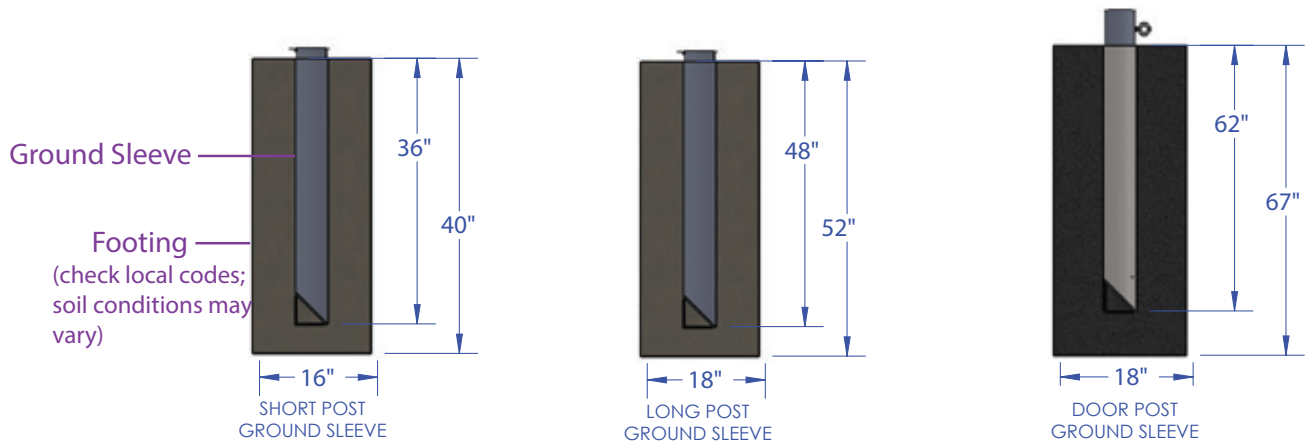
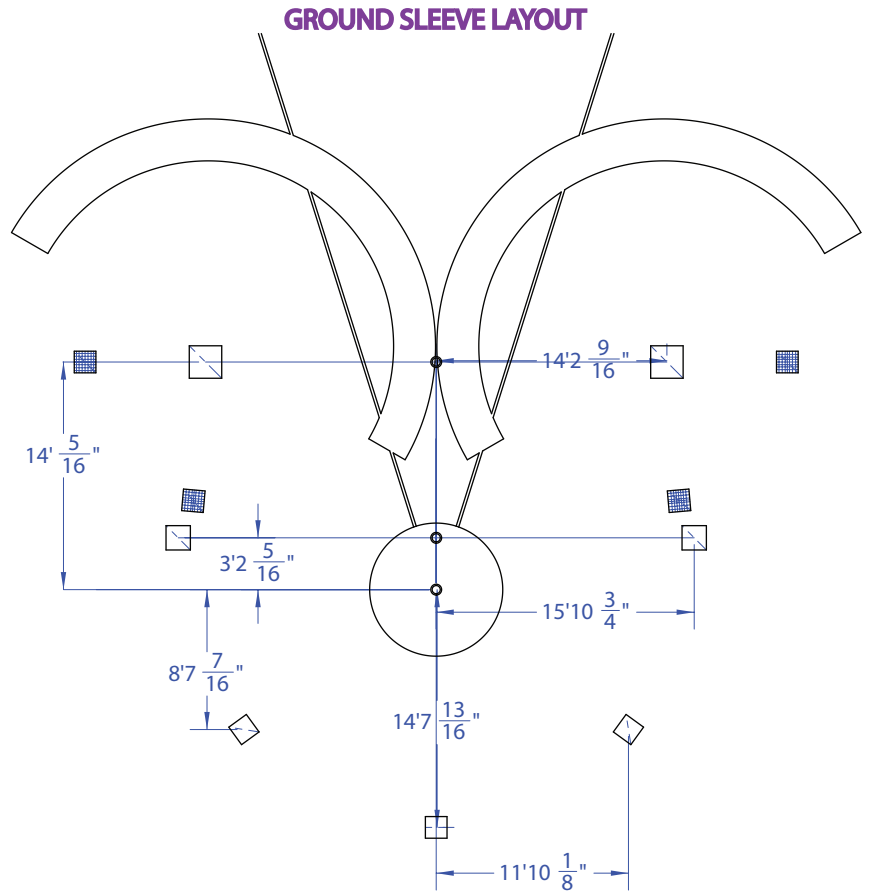
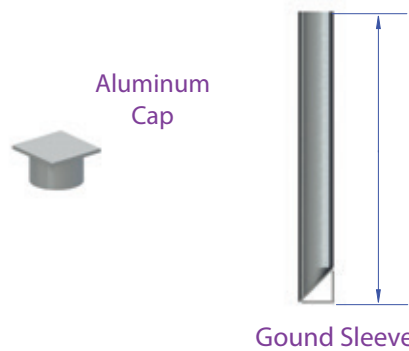
NCAA

DESCRIPTION OF GROUND SLEEVES

- (3) 36"
- (2) 48"
- (2) 62"

Aluminum with a 45 degree base to match post 45 degree angle, locking posts into position

Aluminum caps included to cover ground sleeves when posts are removed



RULE AND STANDARD COMPLIANCE

NCAA

DESCRIPTION OF MAIN NET POSTS

(3) 27' 7" in overall length
24' 7" above ground height
(2) 36' 6½" in overall length, with an
above ground height of 33' 6½"
4" O.D. sch. 40 aluminum
Aluminum mill finish
Features a rope storage cleat and
pulleys to assist in raising/lowering
the net



Pulley and Snap

Holds net and allows for
easy net lifting, lowering,
and removal

Galvanized Endcap
Weather resistant

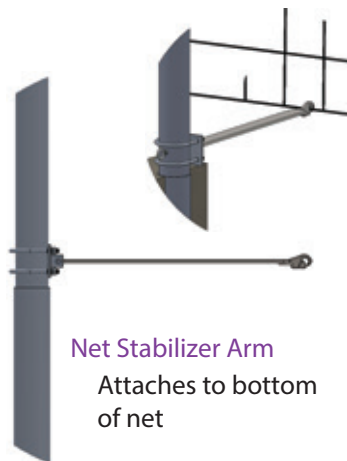


Cleat

Used to tether
rope to post

Net Attachment System

Includes pulley,
snap, and rope



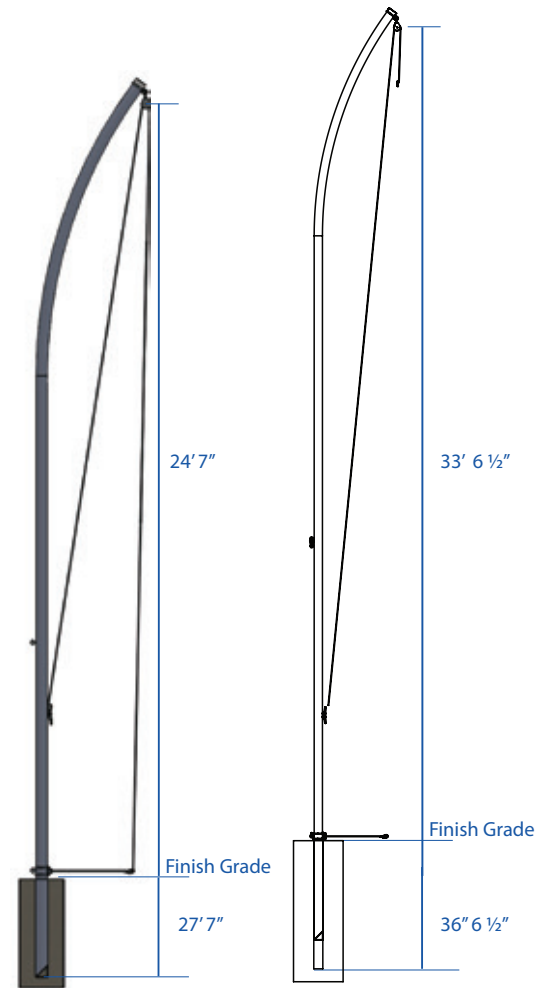
Net Stabilizer Arm

Attaches to bottom
of net

DESCRIPTION OF NET STABILIZER ARMS

Galvanized and powder coated steel
arm extend 30 ½" from posts and
attach to net

When the implement hits the net, it
absorbs the shock and allows the
implement to fall to the ground; the
arms return net to its original hanging
position



NCAA Super 30 Hammer Discus Cage

RULE AND STANDARD COMPLIANCE

NCAA

DESCRIPTION OF DOOR COMPONENTS

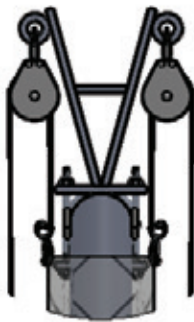
DOOR POSTS

- (2) 36' 2" in overall length
- 31' above ground height
- 4" O.D. galvanized steel posts
- Double action hinges
- Aluminum support braces

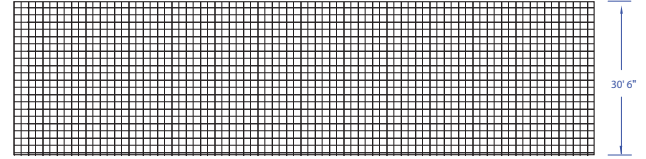
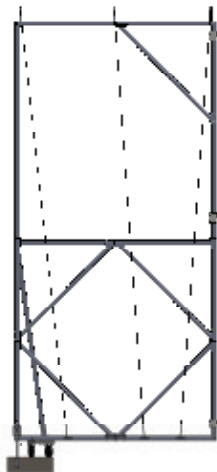


DOORS

- (2) 30' high doors
- Fully welded frame (in 2 halves) with a structural alloy reinforced diamond box design on lower half for stability
- Two wheel support brace makes opening and closing doors easy
- Features a door net pulley system for raising/lowering nets when not in use
- Locking device is included



DOOR PULLEY SYSTEM

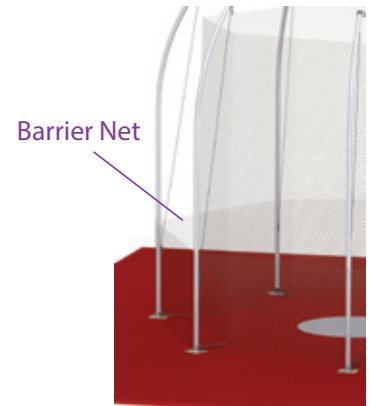


NET

- 82' of 44mm knotless nylon netting with an 804lb (365kg) breaking cord strength
- 5mm diameter cord
- Ropes are included for raising/lowering
- Main net has skirt loose bottom design for maximum protection
- Barrier net is standard and comes with clips to attach
- Door nets are custom made to allow for raising and lowering



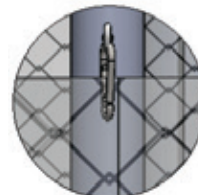
Door Net



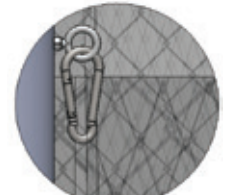
Barrier Net

Barrier Net Attachment

Eyebolt and carabiner for net attachment



Front View

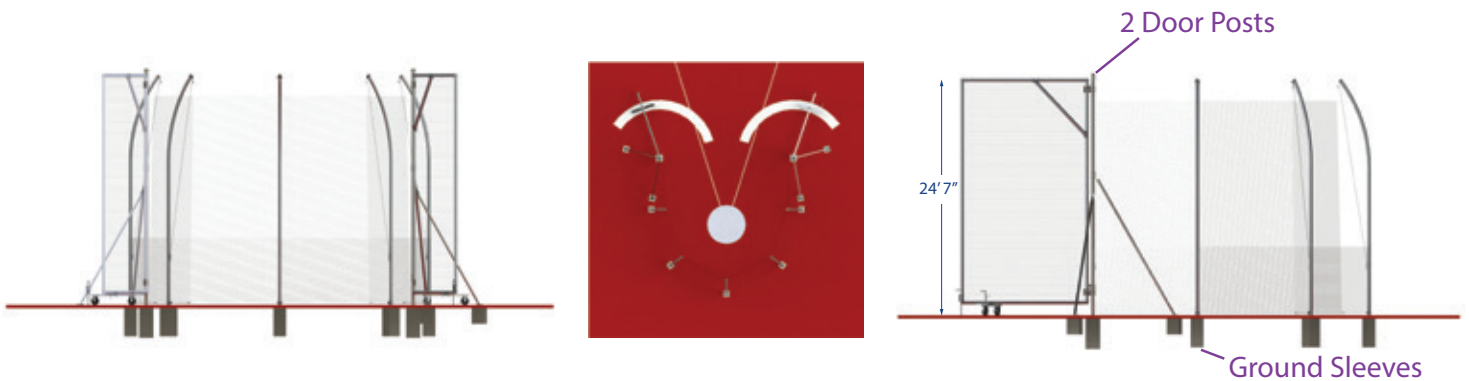
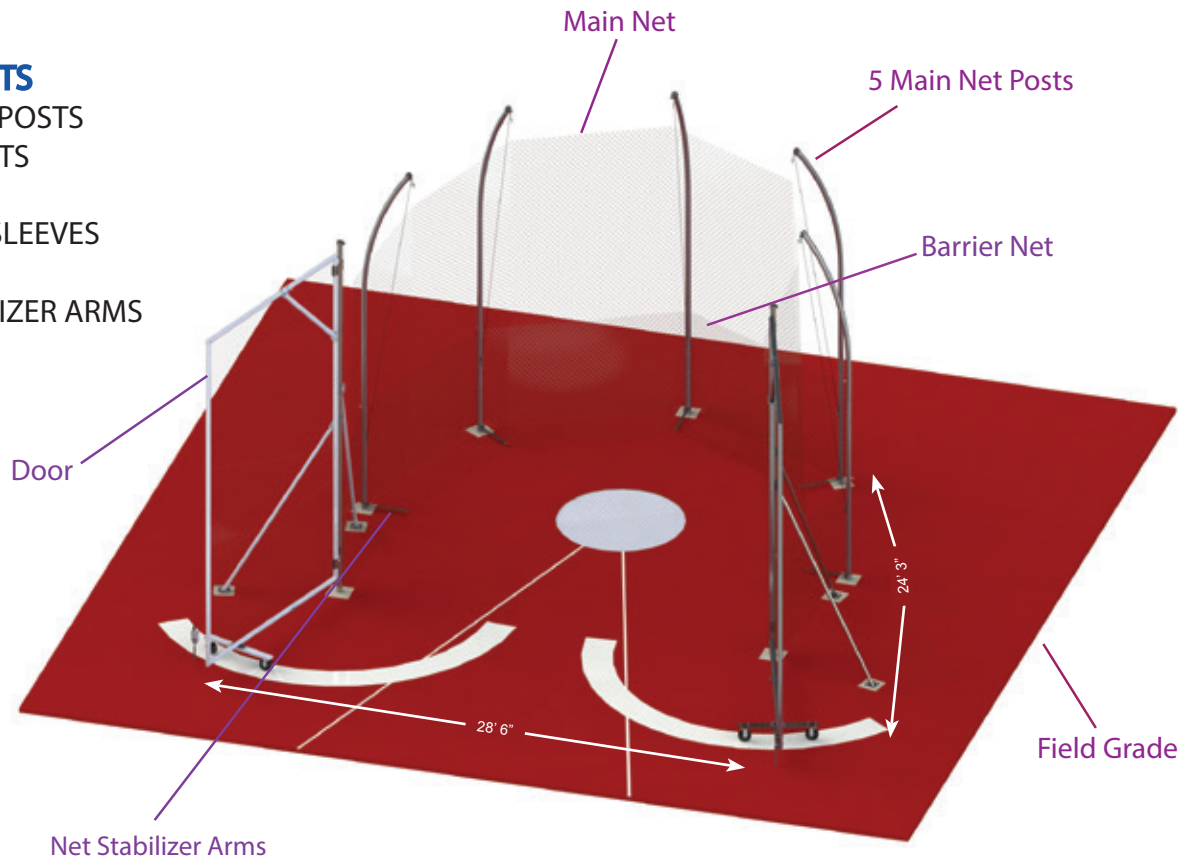


Side View

RULE AND STANDARD COMPLIANCE
NCAA

COMPONENTS

- A. MAIN NET POSTS
- B. DOOR POSTS
- C. DOORS
- D. GROUND SLEEVES
- E. NETS
- F. NET STABILIZER ARMS



PROPRIETARY & CONFIDENTIAL
THE INFORMATION CONTAINED ON THIS PAGE IS THE SOLE PROPERTY OF UCS, INC. ANY REPRODUCTION IN PART, OR AS A WHOLE, WITHOUT THE WRITTEN PERMISSION OF UCS, INC., IS PROHIBITED.

NCAA HAMMER DISCUS CAGE WITH
GROUND SLEEVES AND 24' DOOR HEIGHT



ENGINEERED, DESIGNED, AND CONSTRUCTED TO ENSURE A UCS PERFECT FIT.

RULE AND STANDARD COMPLIANCE

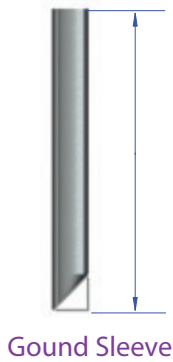
NCAA

DESCRIPTION OF GROUND SLEEVES

(7) 36"

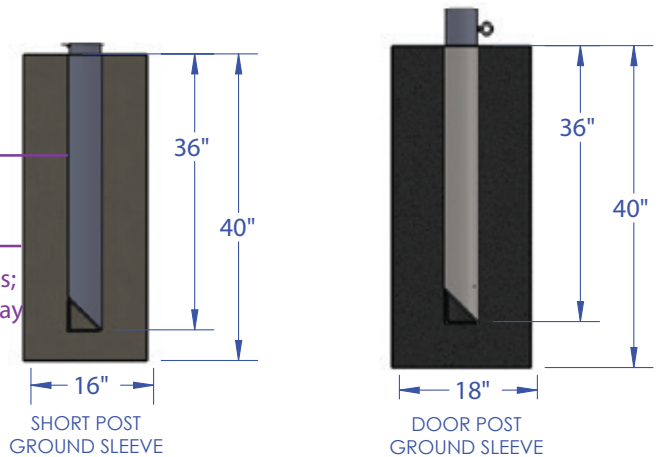
Aluminum with a 45 degree base to match post 45 degree angle, locking posts into position

Aluminum caps included to cover ground sleeves when posts are removed

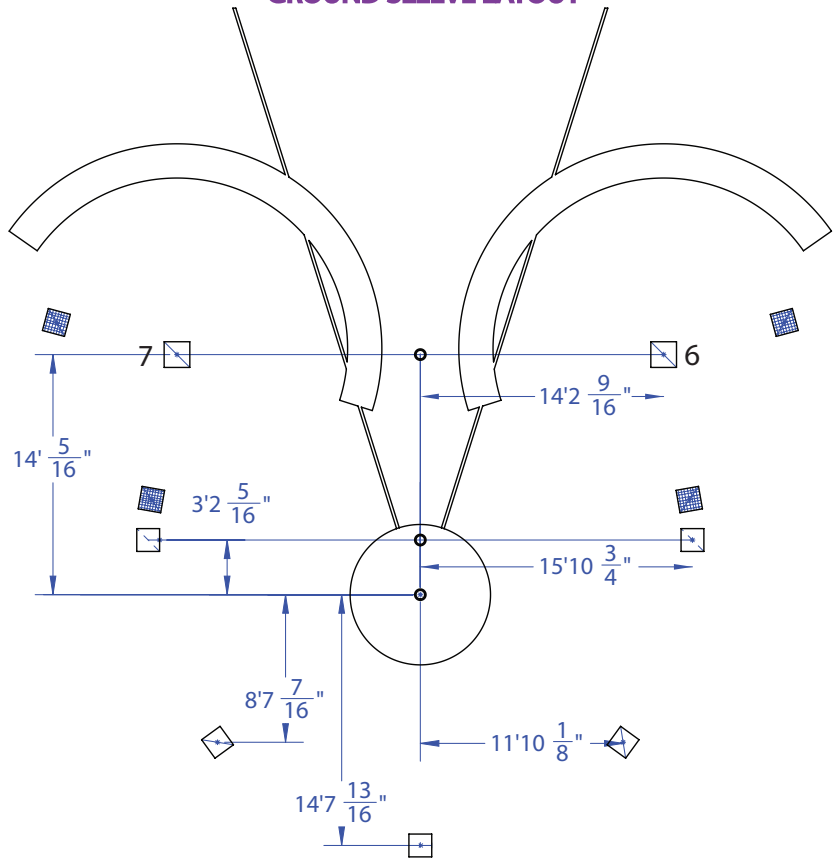


Ground Sleeve

Footing
(check local codes; soil conditions may vary)



GROUND SLEEVE LAYOUT



RULE AND STANDARD COMPLIANCE

NCAA



Pulley and Snap

Holds net and allows for easy net lifting, lowering, and removal

Galvanized Endcap
Weather resistant



Aluminum mill finish
Features a rope storage cleat and pulleys to assist in raising/lowering the net

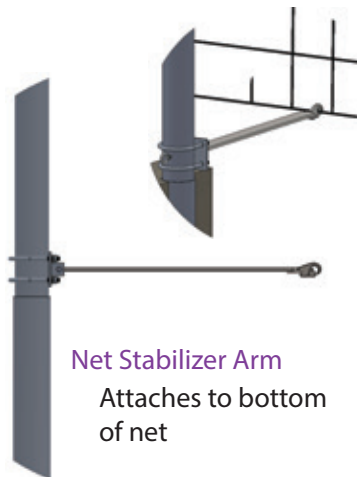


Cleat

Used to tether rope to post

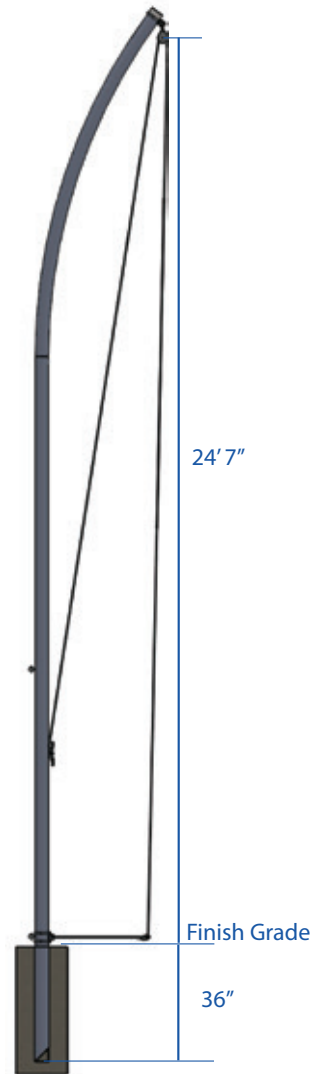
Net Attachment System

Includes pulley, snap, and rope



Net Stabilizer Arm

Attaches to bottom of net



24' 7"

Finish Grade

36"

DESCRIPTION OF NET STABILIZER ARMS

Galvanized and powder coated steel arm extend 30 1/2" from posts and attach to net

When the implement hits the net, it absorbs the shock and allows the implement to fall to the ground; the arms return net to its original hanging position

RULE AND STANDARD COMPLIANCE

NCAA

DESCRIPTION OF DOOR COMPONENTS

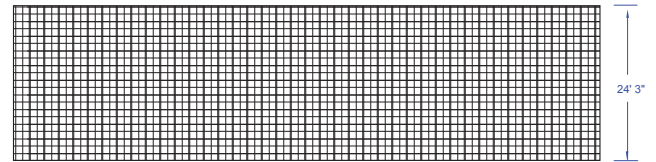
DOOR POSTS

- (2) 28' 1" in overall length
- 25' 1" above ground height
- 4" O.D. galvanized steel posts
- Double action hinges
- Aluminum support braces



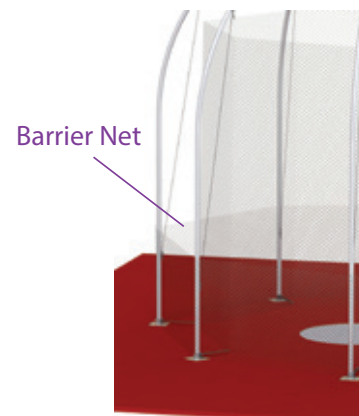
DOORS

- (2) 24' 7" high doors
- Fully welded frame (in 2 halves)
- Two wheel support brace makes opening and closing doors easy
- Locking device is included



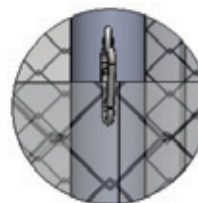
NET

- 80' of 44mm knotless nylon netting with an 804lb (365kg) breaking cord strength
- 5mm diameter cord
- Ropes are included for raising/lowering
- Main net has skirt loose bottom design for maximum protection
- Optional barrier net (?) is standard and comes with clips to attach
- Door nets are custom made to allow for raising and lowering

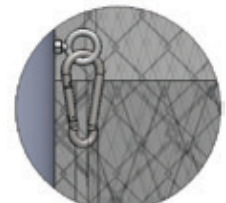


Barrier Net Attachment

Eyebolt and carabiner for net attachment



Front View

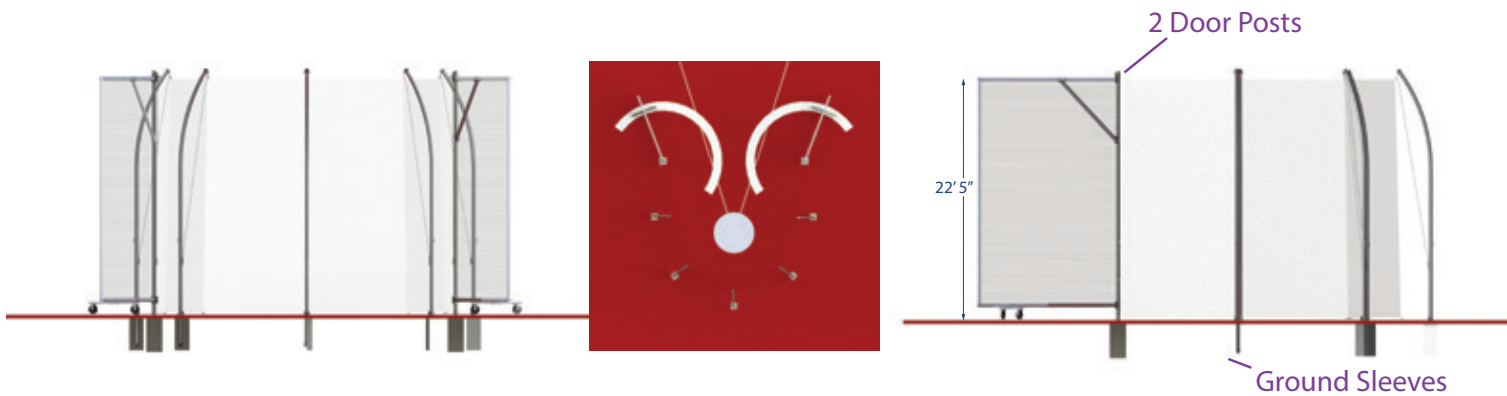
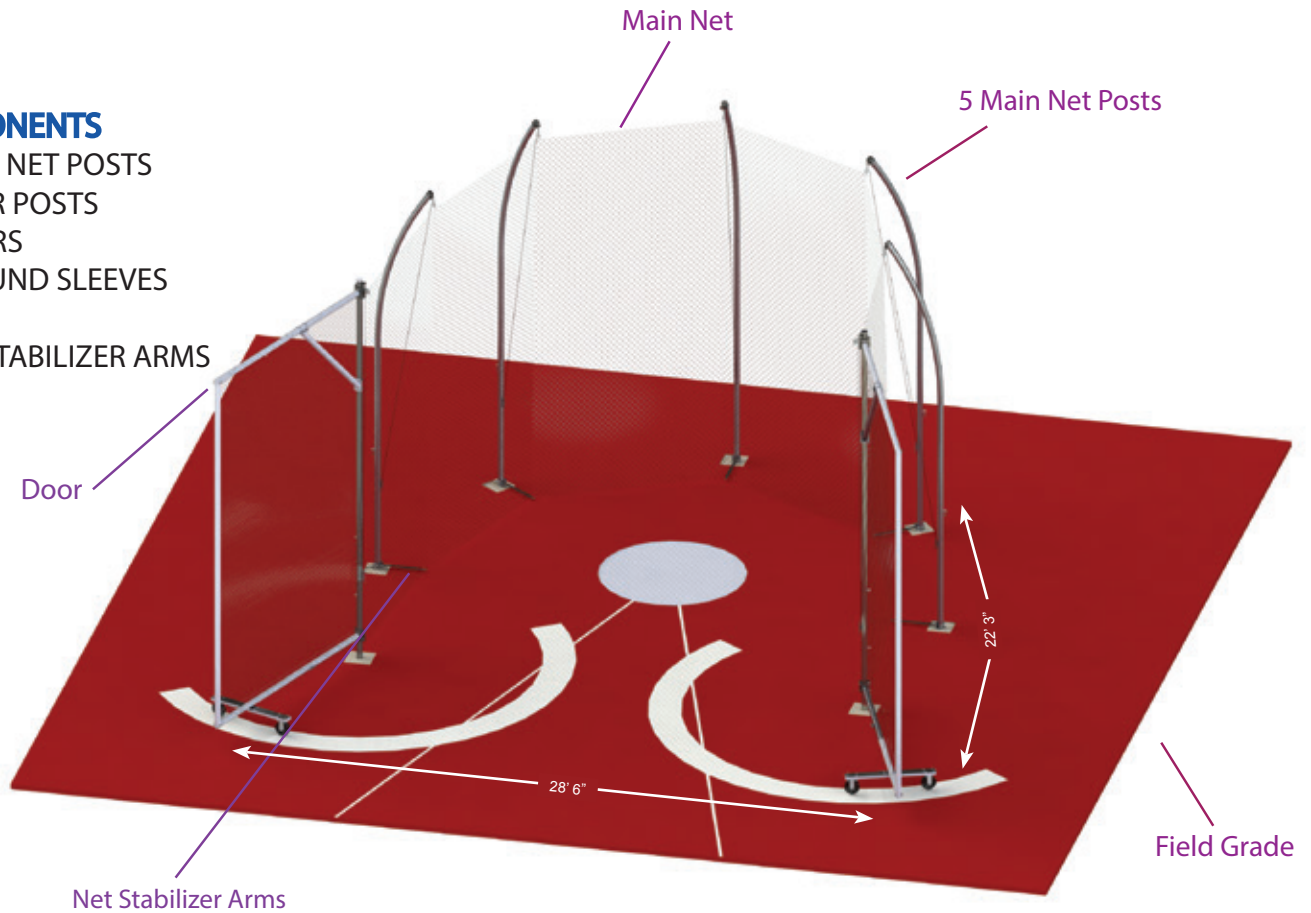


Side View

RULE AND STANDARD COMPLIANCE
NCAA

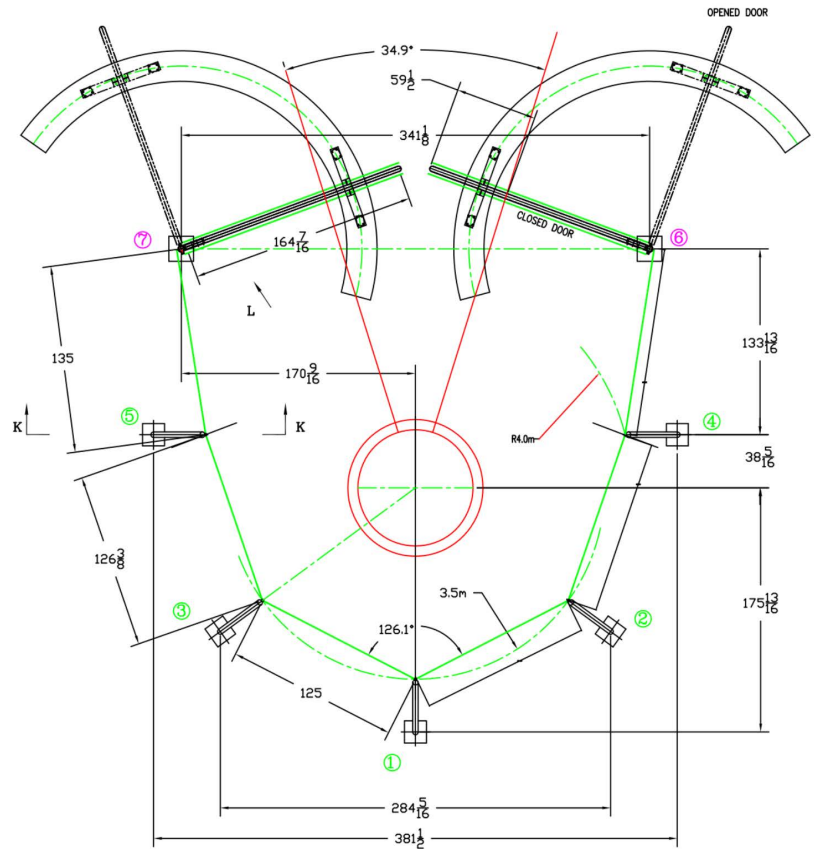
COMPONENTS

- A. MAIN NET POSTS
- B. DOOR POSTS
- C. DOORS
- D. GROUND SLEEVES
- E. NETS
- F. NET STABILIZER ARMS



RULE AND STANDARD COMPLIANCE
NCAA

GROUND SLEEVE LAYOUT



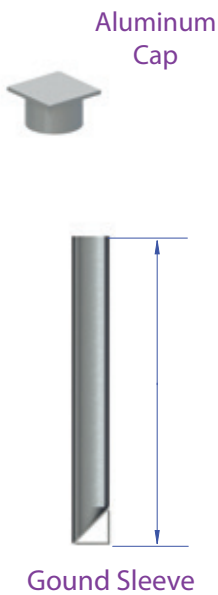
DESCRIPTION OF GROUND SLEEVES

(5) 36"

(2) 36 1/4"

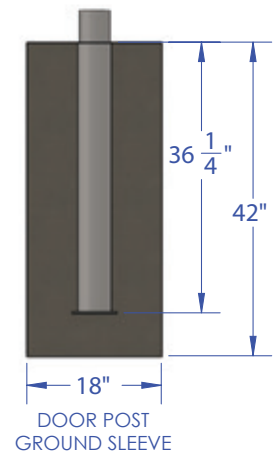
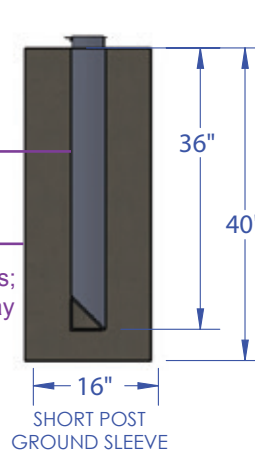
Aluminum with a 45 degree base to match post 45 degree angle, locking posts into position

Aluminum caps included to cover ground sleeves when posts are removed



Ground Sleeve

Footing
(check local codes; soil conditions may vary)



RULE AND STANDARD COMPLIANCE

NCAA

DESCRIPTION OF MAIN NET POSTS

(5) 26' 3" in overall length
23' 3" above ground height
4" O.D. sch. 40 aluminum
Aluminum mill finish
Features a rope storage cleat and pulleys to assist in raising/lowering the net



Pulley and Snap

Holds net and allows for easy net lifting, lowering, and removal

Galvanized Endcap
Weather resistant

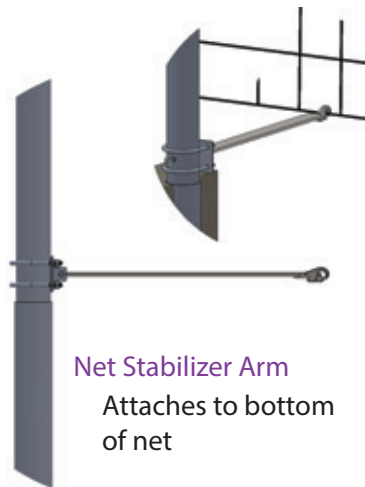


Cleat

Used to tether rope to post

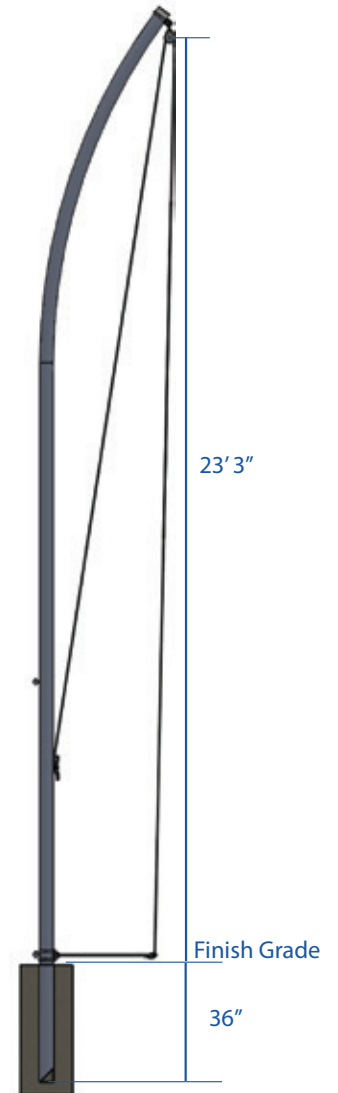
Net Attachment System

Includes pulley, snap, and rope



Net Stabilizer Arm

Attaches to bottom of net



DESCRIPTION OF NET STABILIZER ARMS

Galvanized and powder coated steel arm extend 30 1/2" from posts and attach to net

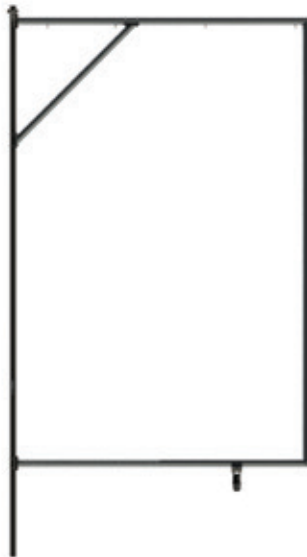
When the implement hits the net, it absorbs the shock and allows the implement to fall to the ground; the arms return net to its original hanging position

RULE AND STANDARD COMPLIANCE
NCAA

DESCRIPTION OF DOOR COMPONENTS

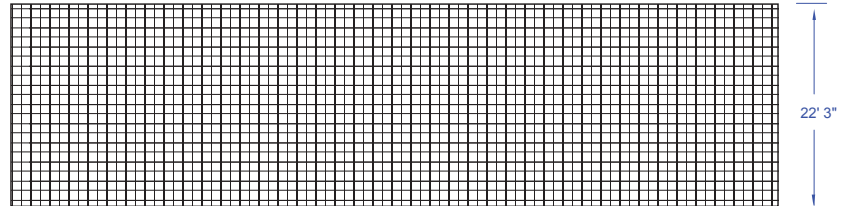
DOOR POSTS

- (2) 26' in overall length
- 23' above ground height
- 4" O.D. galvanized steel posts
- Double action hinges
- Aluminum support braces



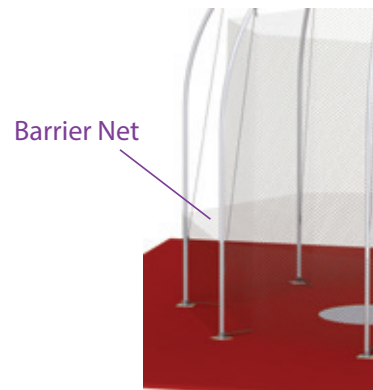
DOORS

- (2) 22' 4" high doors
- Fully welded frame (in 2 halves) with a structural alloy reinforced diamond box design on lower half for stability
- Two wheel support brace makes opening and closing doors easy
- Door rotates in ground sleeve
- Locking device is included



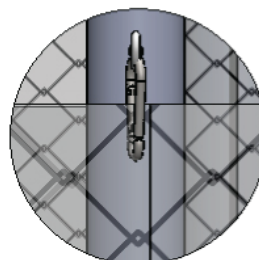
NET

- 127' 6" of 44mm knotless nylon netting with an 804lb (365kg) breaking cord strength
- 5mm diameter cord
- Ropes are included for raising/lowering
- Main net has skirt loose bottom design for maximum protection
- Optional Barrier net (?) is standard and comes with clips to attach

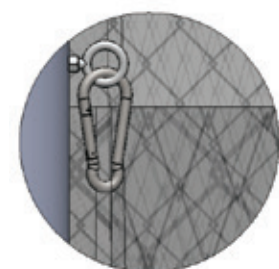


Barrier Net Attachment

Eyebolt and carabiner for net attachment



Front View



Side View

RULE AND STANDARD COMPLIANCE

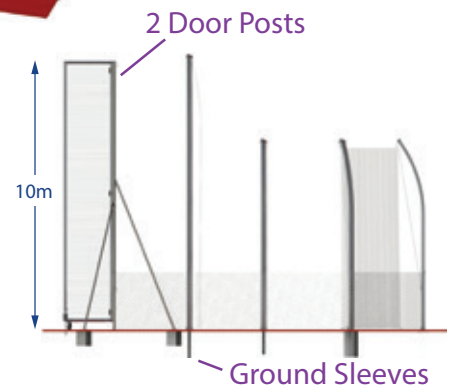
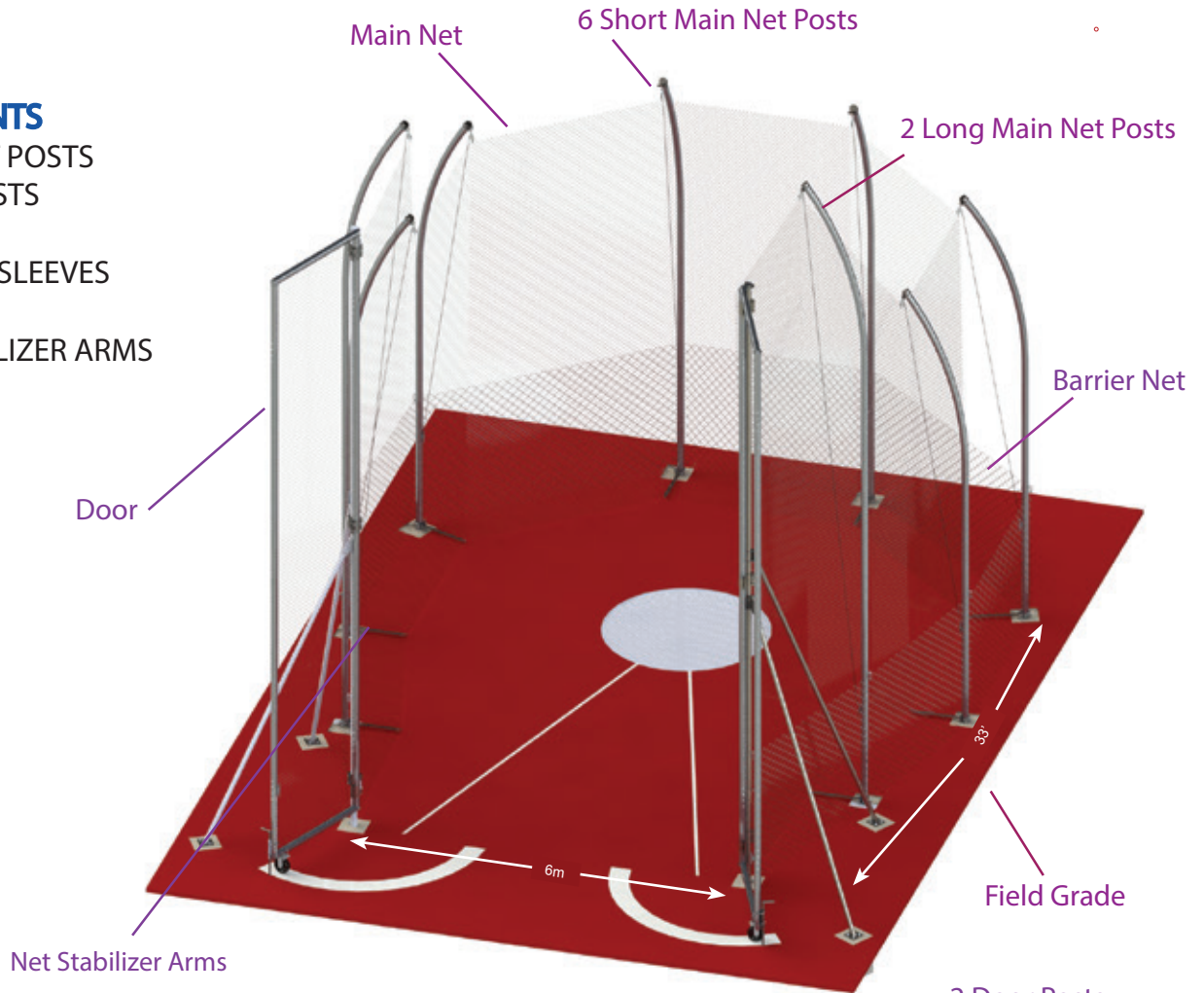
World Athletics



World Athletics N: E-99-0058

COMPONENTS

- A. MAIN NET POSTS
- B. DOOR POSTS
- C. DOORS
- D. GROUND SLEEVES
- E. NETS
- F. NET STABILIZER ARMS



PROPRIETARY & CONFIDENTIAL
THE INFORMATION CONTAINED ON THIS PAGE IS THE SOLE PROPERTY OF UCS, INC. ANY REPRODUCTION IN PART, OR AS A WHOLE, WITHOUT THE WRITTEN PERMISSION OF UCS, INC., IS PROHIBITED.

WORLD ATHLETICS CERTIFIED STADIUM MODEL
HAMMER DISCUS CAGE

ENGINEERED, DESIGNED, AND CONSTRUCTED TO ENSURE A UCS PERFECT FIT.

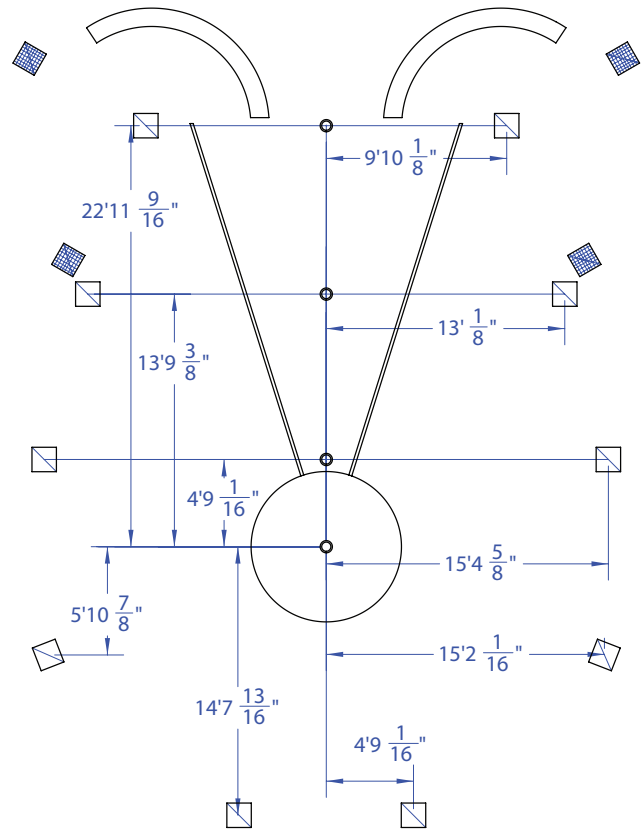
RULE AND STANDARD COMPLIANCE

World Athletics



World Athletics N: E-99-0058

GROUND SLEEVE LAYOUT

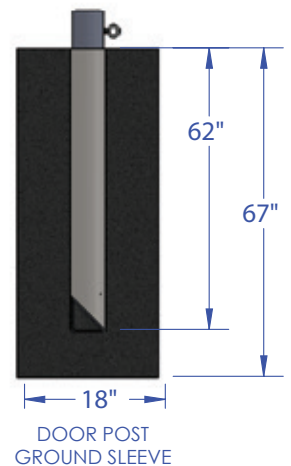
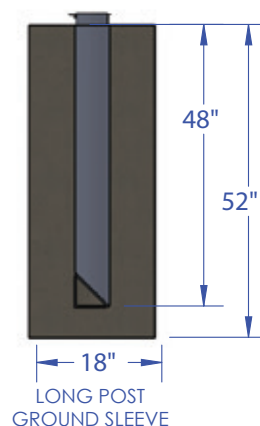
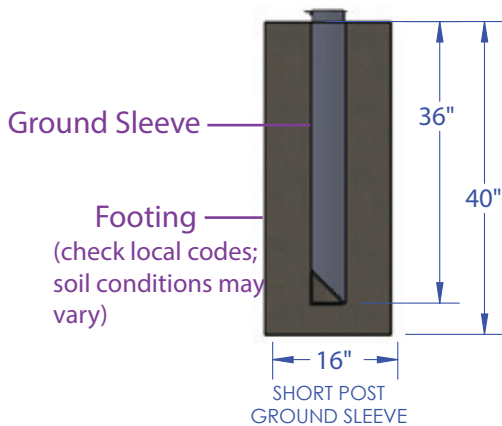
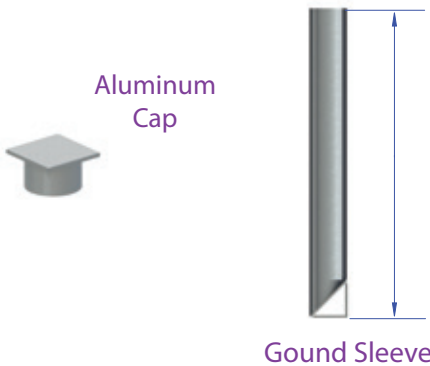


DESCRIPTION OF GROUND SLEEVES

- (6) 36"
- (2) 48"
- (2) 62"

Aluminum with a 45 degree base to match post 45 degree angle, locking posts into position

Aluminum sleeve in the post to be removed



RULE AND STANDARD COMPLIANCE

World Athletics



World Athletics N: E-99-0058



Pulley and Snap

Holds net and allows for easy net lifting, lowering, and removal

Galvanized Endcap
Weather resistant

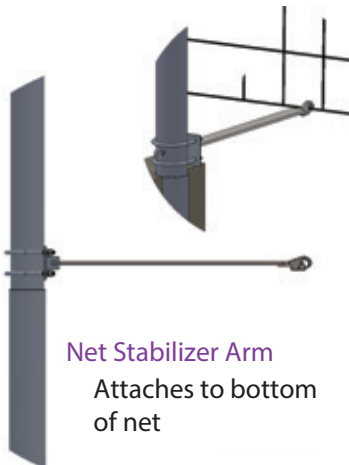


Cleat

Used to tether rope to post

Net Attachment System

Includes pulley, snap, and rope

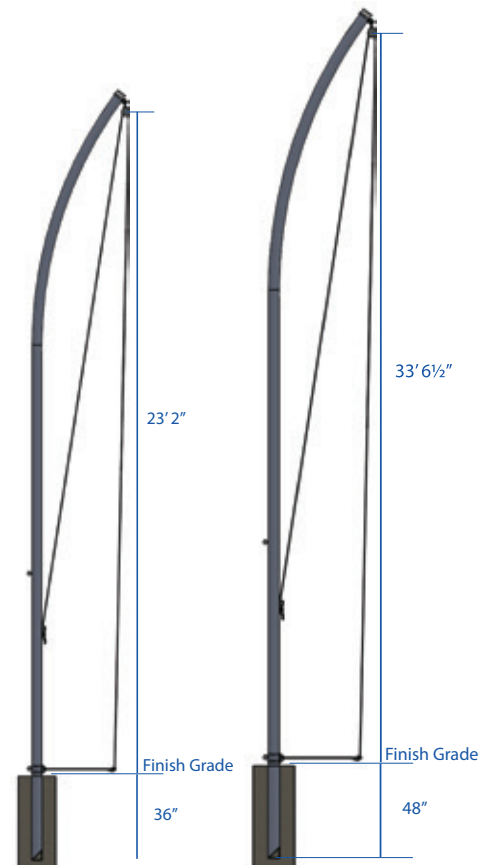


Net Stabilizer Arm

Attaches to bottom of net

DESCRIPTION OF MAIN NET POSTS

(6) 26' 3" in overall length
23' 2" above ground height
(2) 37' 6½" in overall length, with an above ground height of 33' 6½"
4" O.D. sch. 40 aluminum
Aluminum mill finish
Features a rope storage cleat and pulleys to assist in raising/lowering the net



DESCRIPTION OF NET STABILIZER ARMS

Galvanized and powder coated steel arm extend 30 ½" from posts and attach to net

When the implement hits the net, it absorbs the shock and allows the implement to fall to the ground; the arms return net to its original hanging position

RULE AND STANDARD COMPLIANCE

World Athletics



World Athletics N: E-99-0058

DESCRIPTION OF DOOR COMPONENTS

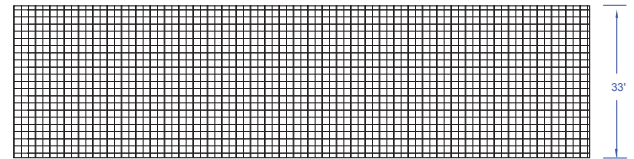
DOOR POSTS

- (2) 36' 10" in overall length
- 32' 10" above ground height
- 4" O.D. galvanized steel posts
- Double action hinges
- Aluminum support braces



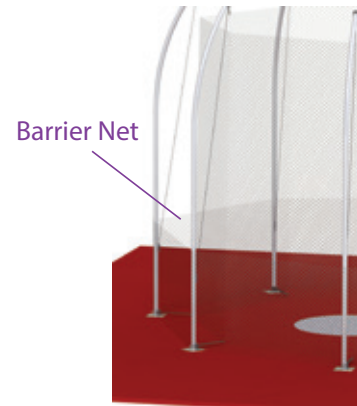
DOORS

- (2) 32' 9" high doors
- Fully welded frame (in 2 halves)
- Two wheel support brace makes opening and closing doors easy
- Features a door net pulley system for raising/lowering nets when not in use
- Locking device is included

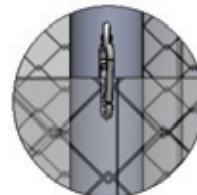


NET

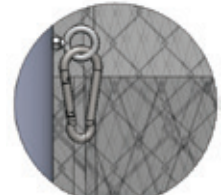
- 100' of 44mm knotless nylon netting with an 804lb (365kg) breaking cord strength
- 5mm diameter cord
- Ropes are included for raising/lowering
- Main net has skirt loose bottom design for maximum protection



Barrier Net Attachment
Eyebolt and carabiner for net attachment



Front View

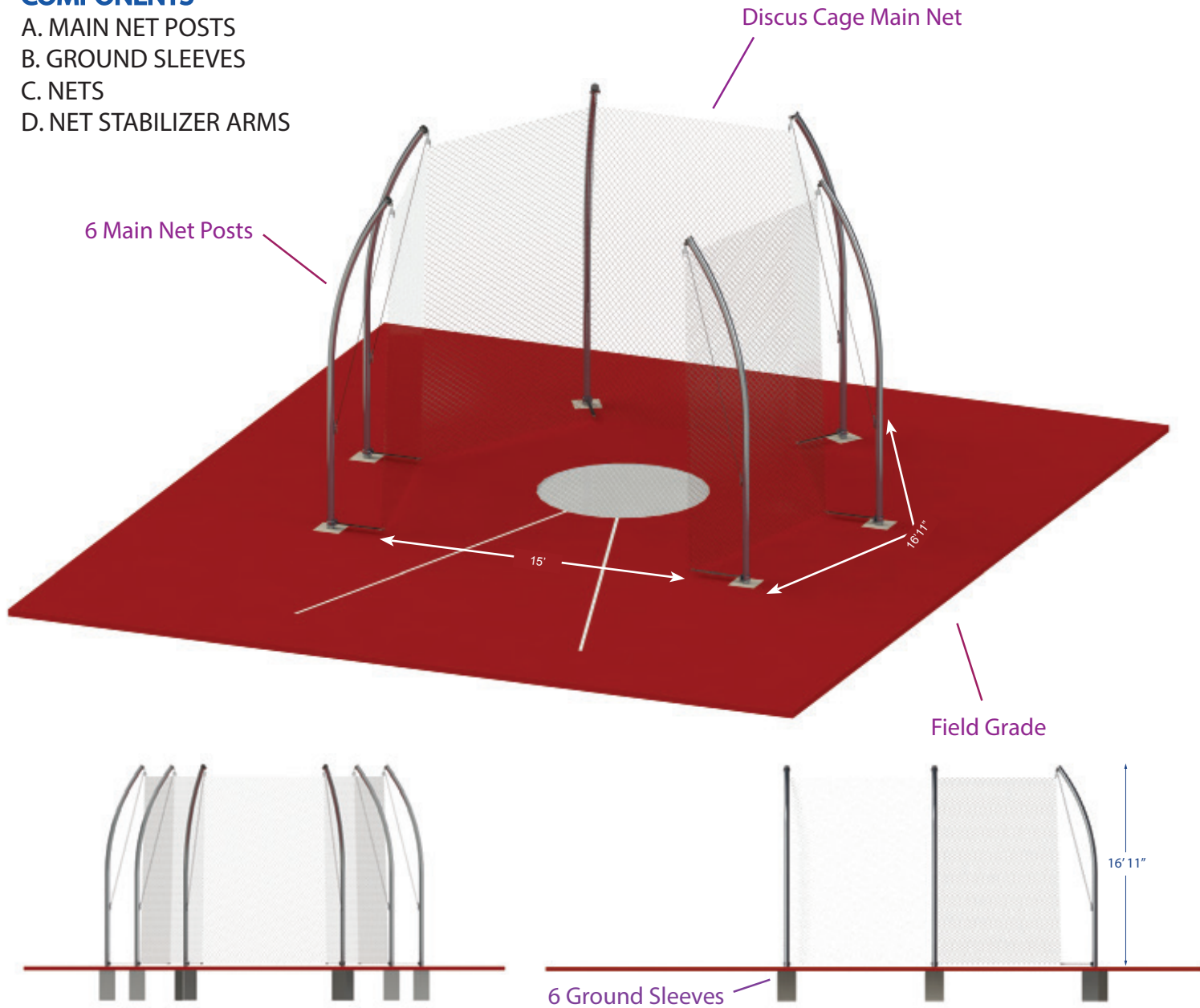


Side View

RULE AND STANDARD COMPLIANCE
NFHS

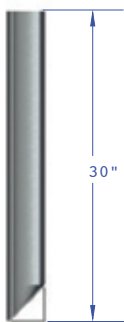
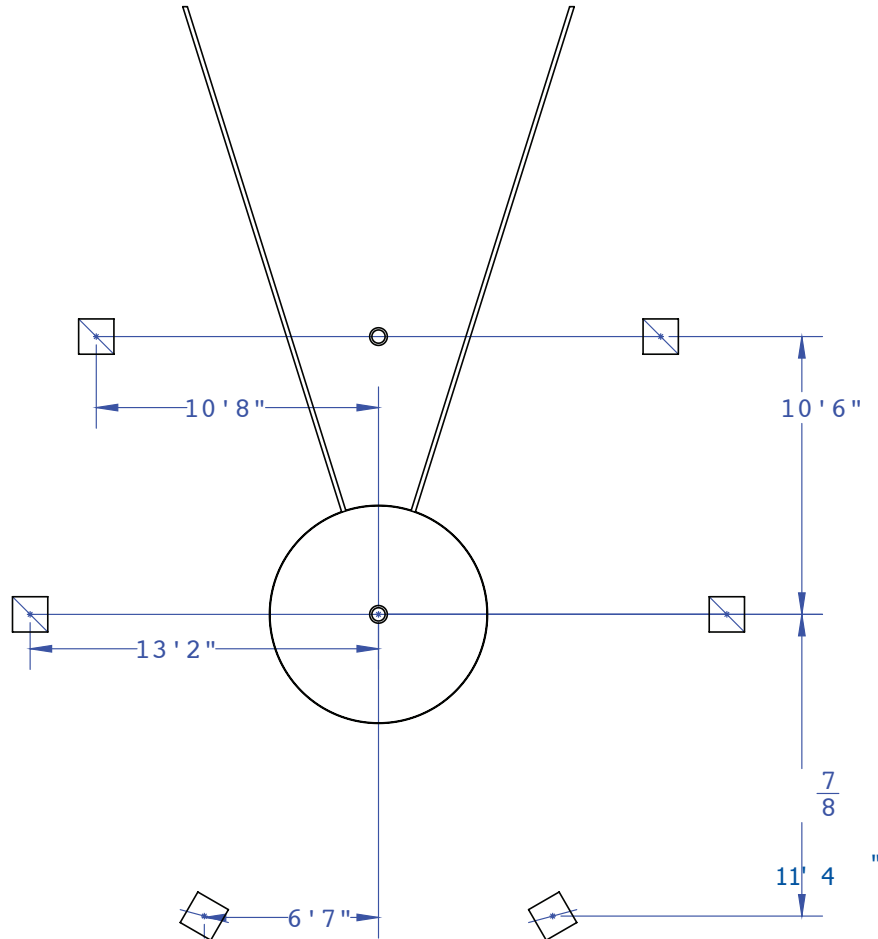
COMPONENTS

- A. MAIN NET POSTS
- B. GROUND SLEEVES
- C. NETS
- D. NET STABILIZER ARMS



RULE AND STANDARD COMPLIANCE
NFHS

GROUND SLEEVE LAYOUT



Ground Sleeve

DESCRIPTION OF GROUND SLEEVES

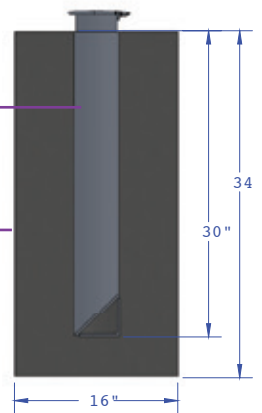
(6) 30"

Aluminum with a 45 degree base to match post 45 degree angle, locking posts into position

Aluminum caps included to cover ground sleeves when posts are removed

Ground Sleeve

Footing



RULE AND STANDARD COMPLIANCE
NFHS

DESCRIPTION OF MAIN NET POSTS

(6) 19' 5" in overall length, with an
above ground height of 16' 11"
Aluminum mill finish
Features a rope storage cleat and
pulleys to assist in
raising/lowering the net



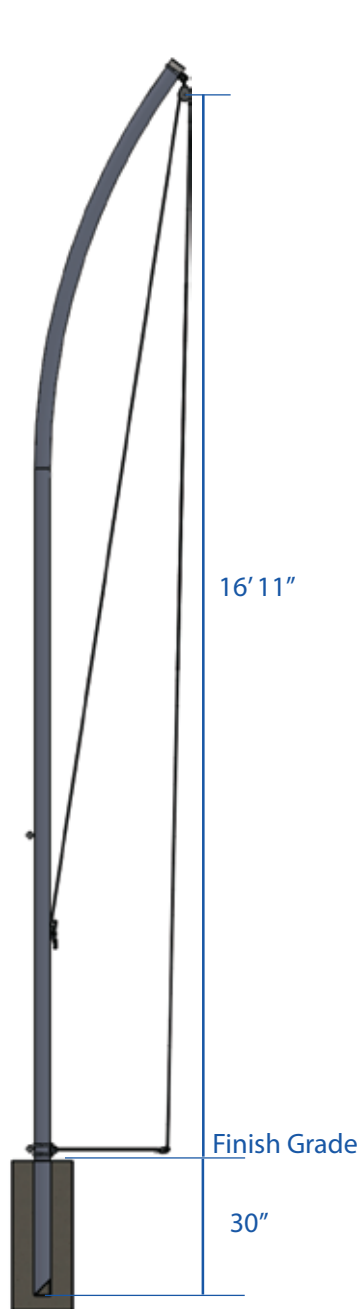
Pulley and Snap

Holds net and allows for
easy net lifting, lowering,
and removal



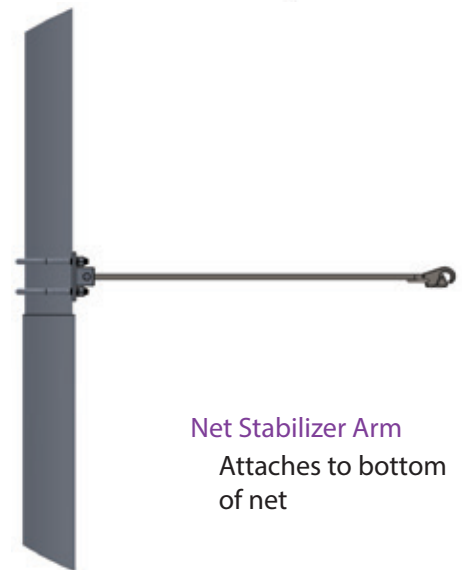
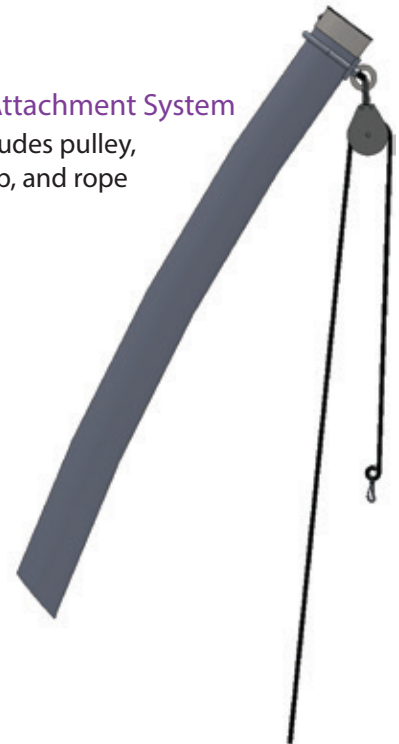
Cleat

Used to tether
rope to post



Net Attachment System

Includes pulley,
snap, and rope



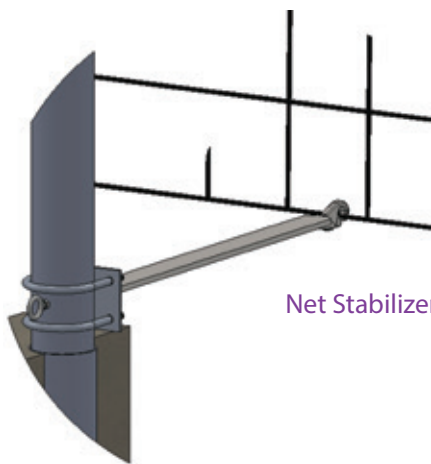
Net Stabilizer Arm

Attaches to bottom
of net

DESCRIPTION OF NET STABILIZER ARMS

Galvanized and powder coated steel arm extend 30 1/2" from posts and attach to net

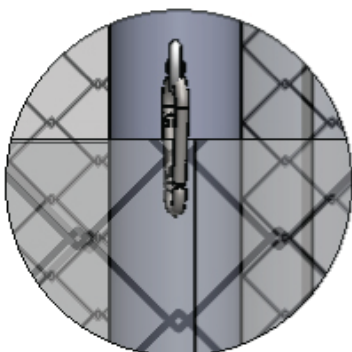
When the implement hits the net, it absorbs the shock and allows the implement to fall to the ground; the arms return net to its original hanging position



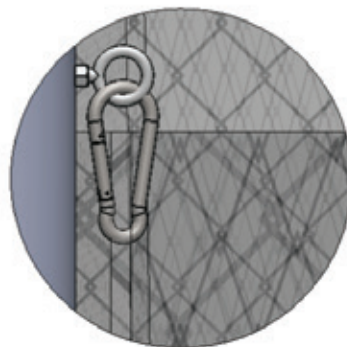
Net Stabilizer Arm

Barrier Net Attachment

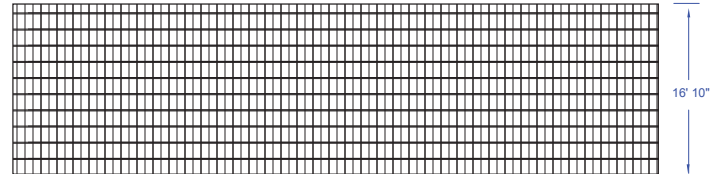
Eyebolt and carabiner for net attachment



Front View

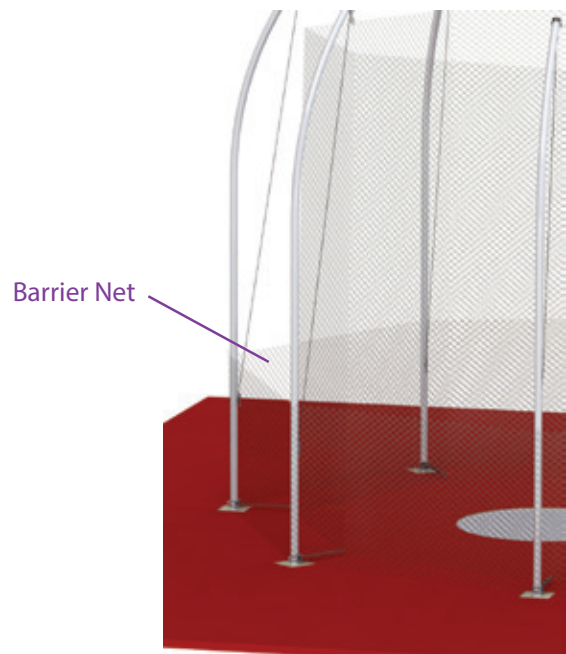


Side View



NET

- 58' of 44mm knotless nylon netting with an 804lb (365kg) breaking cord strength
- 5mm diameter cord
- Ropes are included for raising/lowering
- Main net has skirt loose bottom design for maximum protection
- Optional (model 570-7507): Barrier net is standard and comes with clips to attach

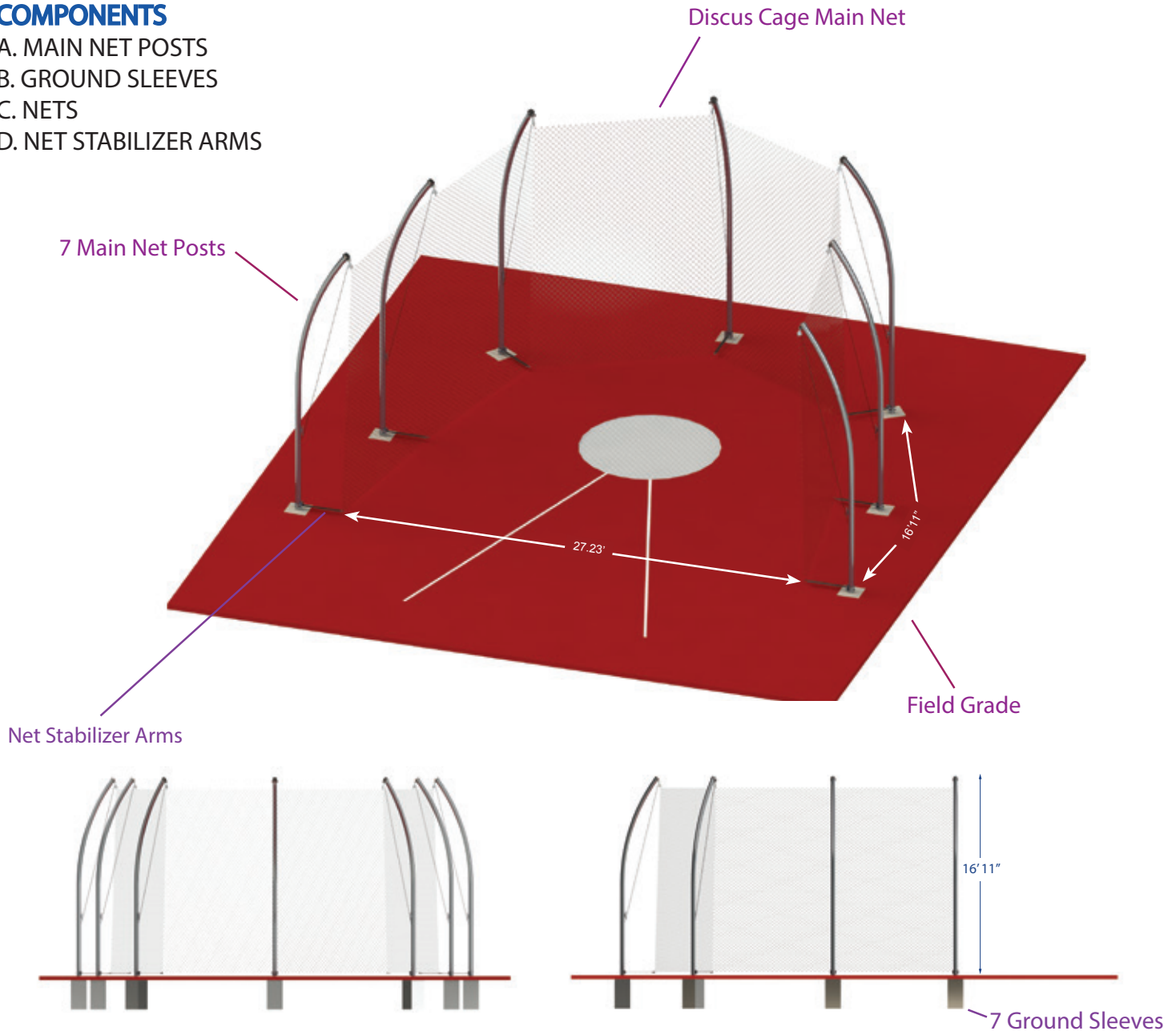


Barrier Net

RULE AND STANDARD COMPLIANCE
NCAA

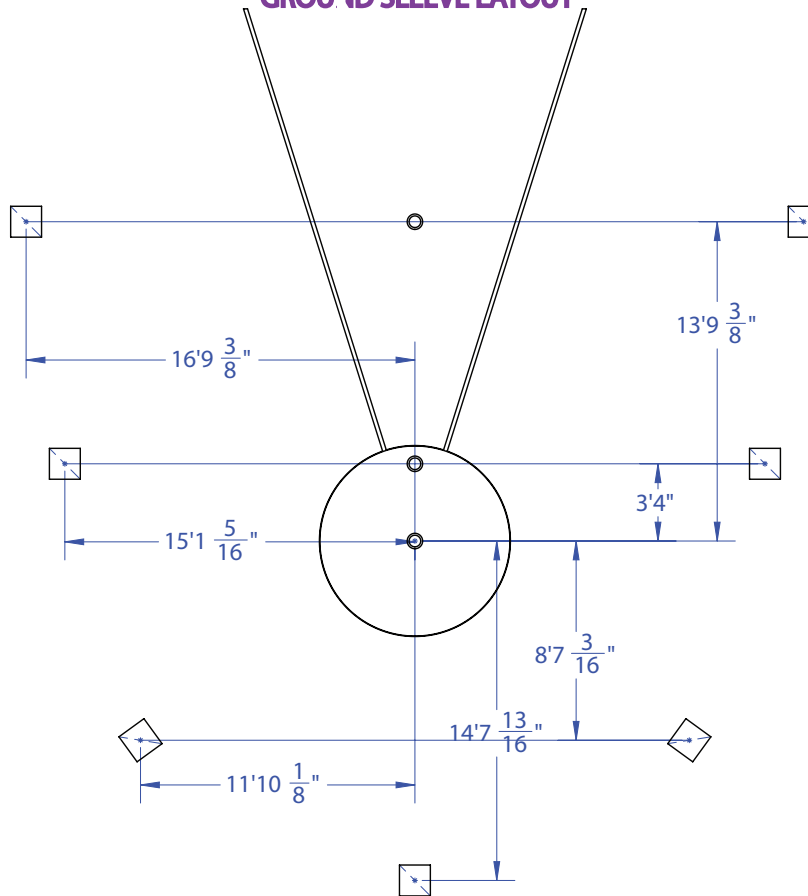
COMPONENTS

- A. MAIN NET POSTS
- B. GROUND SLEEVES
- C. NETS
- D. NET STABILIZER ARMS

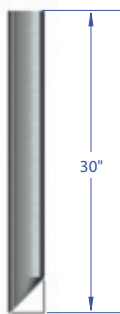


RULE AND STANDARD COMPLIANCE
NCAA

GROUND SLEEVE LAYOUT



Aluminum Cap



Ground Sleeve

DESCRIPTION OF GROUND SLEEVES

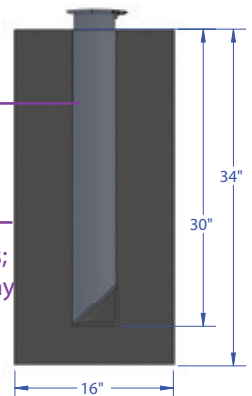
(7) 30"

Aluminum with a 45 degree base to match post 45 degree angle, locking posts into position

Aluminum caps included to cover ground sleeves when posts are removed

Ground Sleeve

Footing
(check local codes; soil conditions may vary)



RULE AND STANDARD COMPLIANCE

NCAA

DESCRIPTION OF MAIN NET POSTS

(7) 19' 5" in overall length, with an above ground height of 16' 11" 4" O.D. sch. 40 aluminum Aluminum mill finish Features a rope storage cleat and pulleys to assist in raising/lowering the net



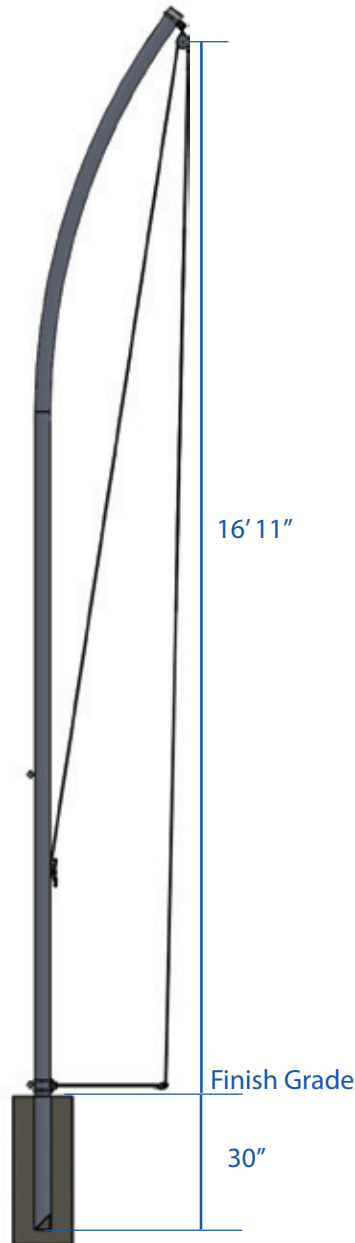
Pulley and Snap

Holds net and allows for easy net lifting, lowering, and removal



Cleat

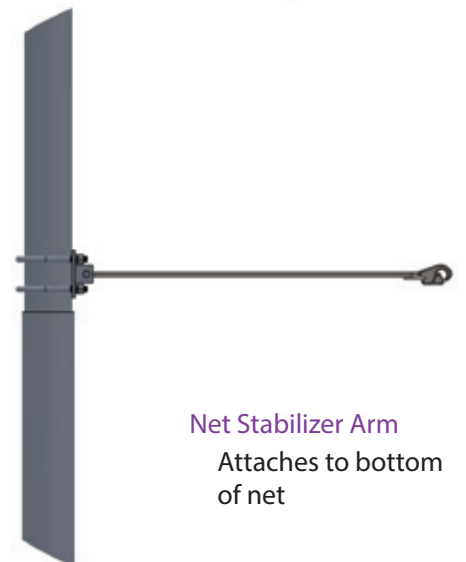
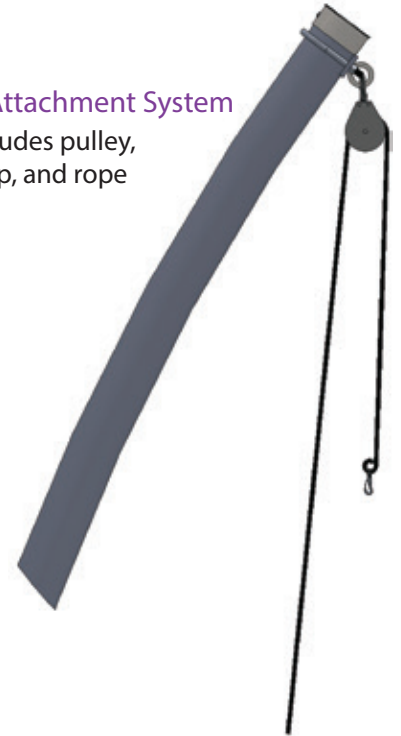
Used to tether rope to post



Weather resistant

Net Attachment System

Includes pulley, snap, and rope



Net Stabilizer Arm

Attaches to bottom of net

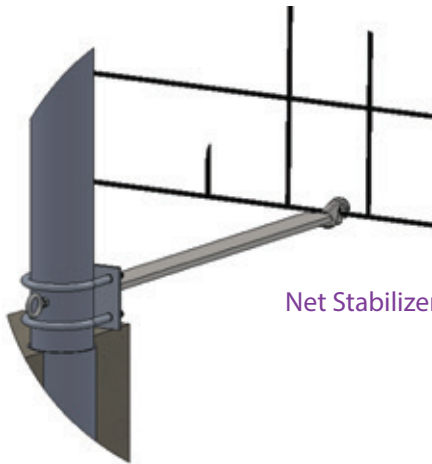
RULE AND STANDARD COMPLIANCE

NCAA

DESCRIPTION OF NET STABILIZER ARMS

Galvanized and powder coated steel arm extend 30 1/2" from posts and attach to net

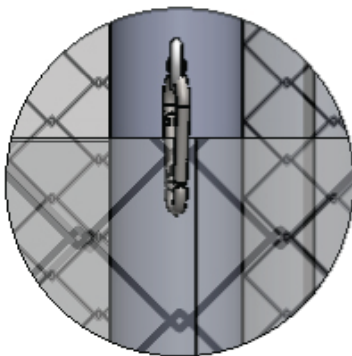
When the implement hits the net, it absorbs the shock and allows the implement to fall to the ground; the arms return net to its original hanging position



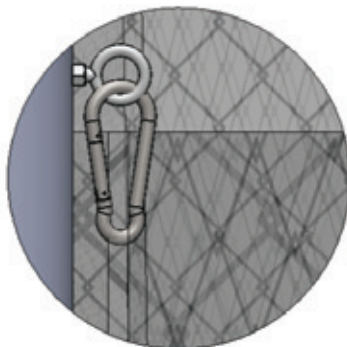
Net Stabilizer Arm

Barrier Net Attachment

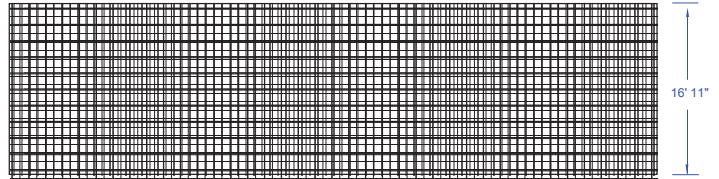
Eyebolt and carabiner for net attachment



Front View

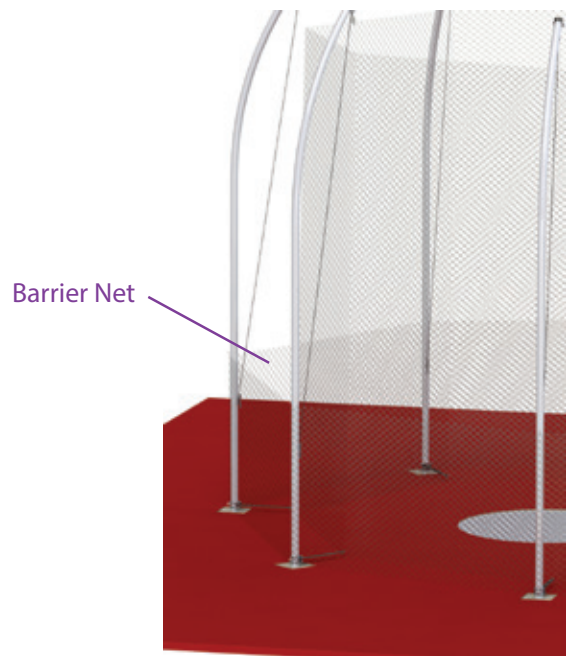


Side View



NET

- 77' of 44mm knotless nylon netting with an 804lb (365kg) breaking cord strength
- 5mm diameter cord
- Ropes are included for raising/lowering
- Main net has skirt loose bottom design for maximum protection
- Optional model (?): Barrier net is standard and comes with clips to attach



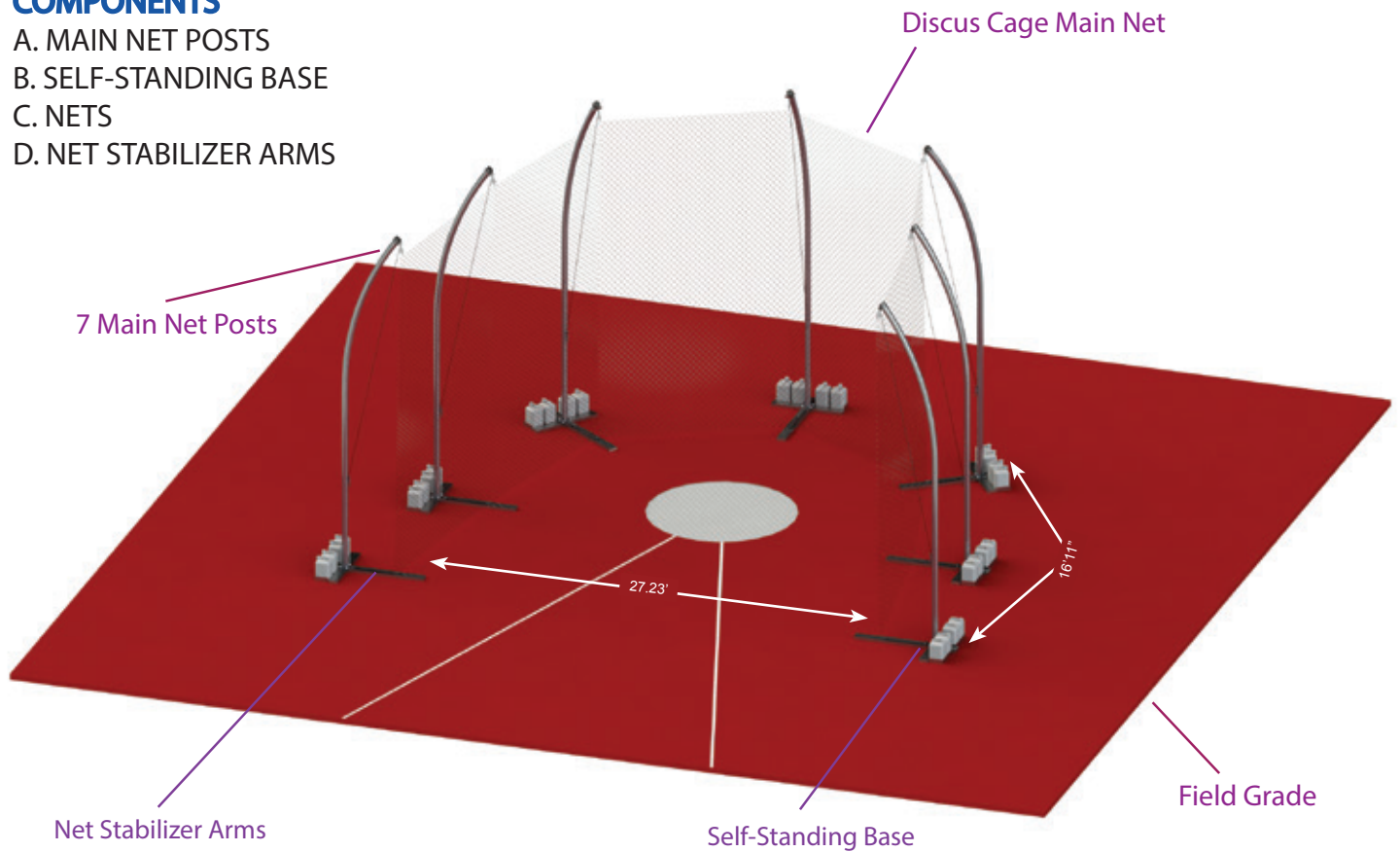
Barrier Net

RULE AND STANDARD COMPLIANCE

NCAA

COMPONENTS

- A. MAIN NET POSTS
- B. SELF-STANDING BASE
- C. NETS
- D. NET STABILIZER ARMS



PROPRIETARY & CONFIDENTIAL
THE INFORMATION CONTAINED ON THIS PAGE IS THE SOLE PROPERTY OF UCS, INC. ANY REPRODUCTION IN PART, OR AS A WHOLE, WITHOUT THE WRITTEN PERMISSION OF UCS, INC., IS PROHIBITED.

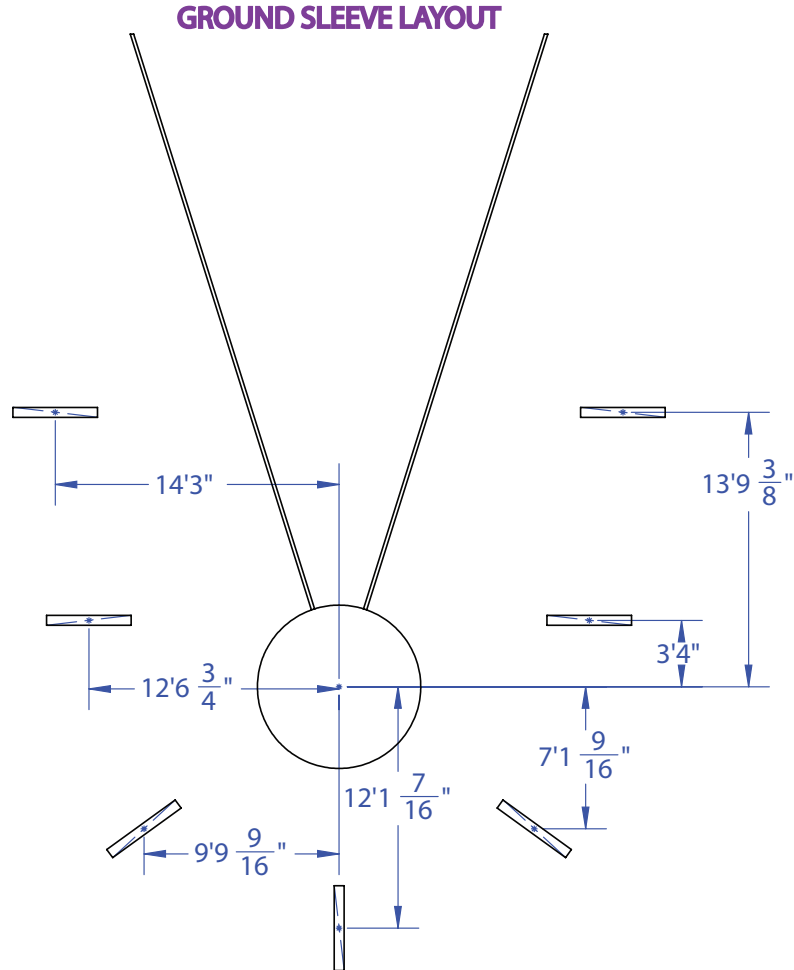
NCAA DISCUS CAGE SELF-STANDING

ENGINEERED, DESIGNED, AND CONSTRUCTED TO ENSURE A UCS PERFECT FIT.



RULE AND STANDARD COMPLIANCE

NCAA



DESCRIPTION OF SELF-STANDING BASE

48" wide, 51" long, 2" thick
2" x 6" x 1/8 steel rectangular tubing
Each base has two 10" storage areas for
5 gallon weight stabilizers with vinyl
coverings

RULE AND STANDARD COMPLIANCE

NCAA

DESCRIPTION OF MAIN NET POSTS

(7) 16' 10" in overall length, with an above ground height of 16' 10"
4" O.D. sch. 40 aluminum
Aluminum mill finish
Features a rope storage cleat and pulleys to assist in raising/lowering the net



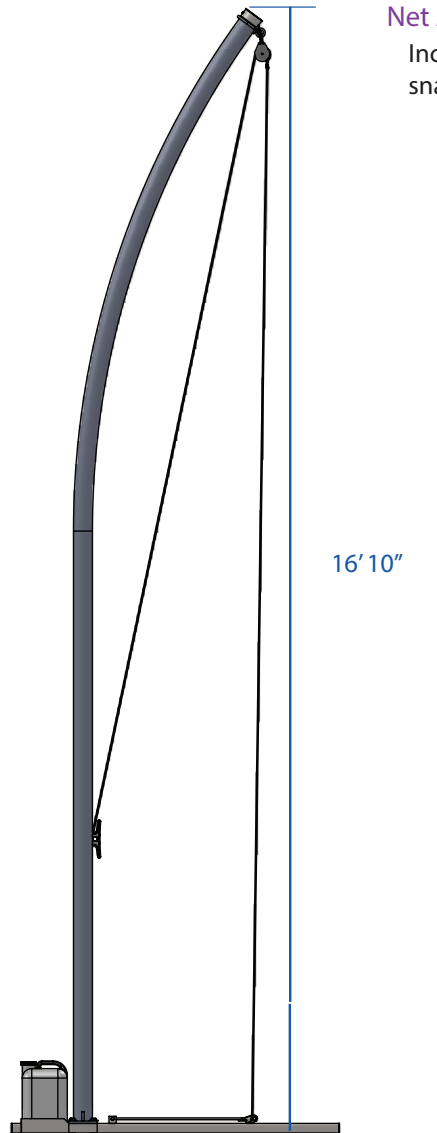
Pulley and Snap

Holds net and allows for easy net lifting, lowering, and removal



Cleat

Used to tether rope to post

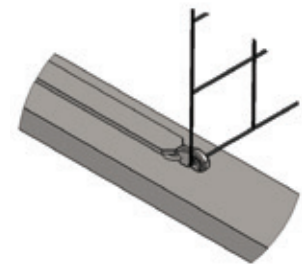
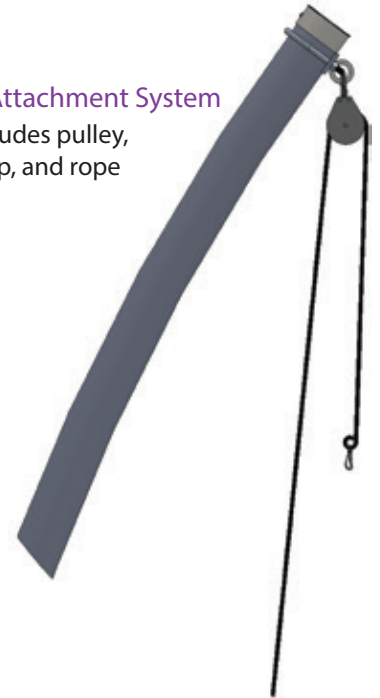


16' 10"

Galvanized Endcap
Weather resistant

Net Attachment System

Includes pulley, snap, and rope



Net Stabilizer Arm

Attaches to bottom of net

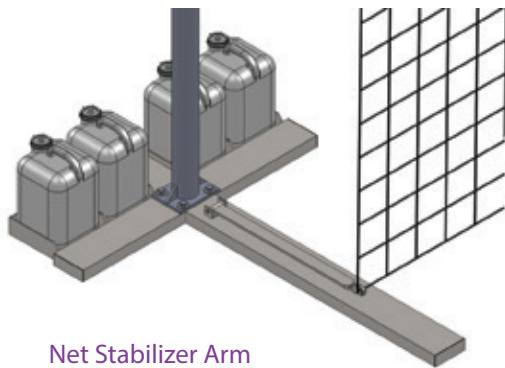
RULE AND STANDARD COMPLIANCE

NCAA

DESCRIPTION OF NET STABILIZER ARMS

Galvanized and powder coated steel arm extend 30 1/2" from posts and attach to net

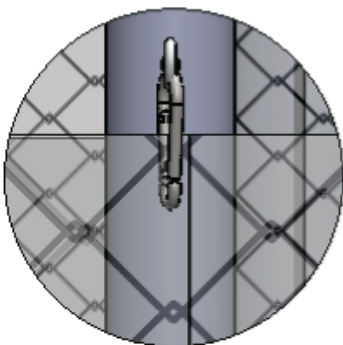
When the implement hits the net, it absorbs the shock and allows the implement to fall to the ground; the arms return net to its original hanging position



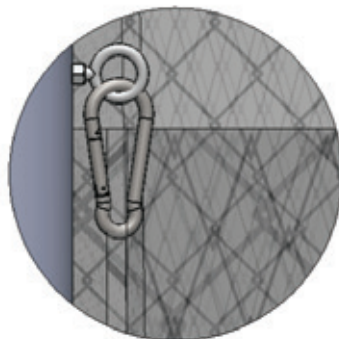
Net Stabilizer Arm

Barrier Net Attachment

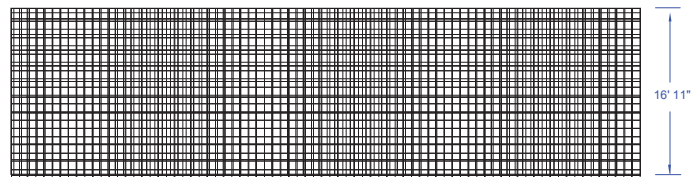
Eyebolt and carabiner for net attachment



Front View

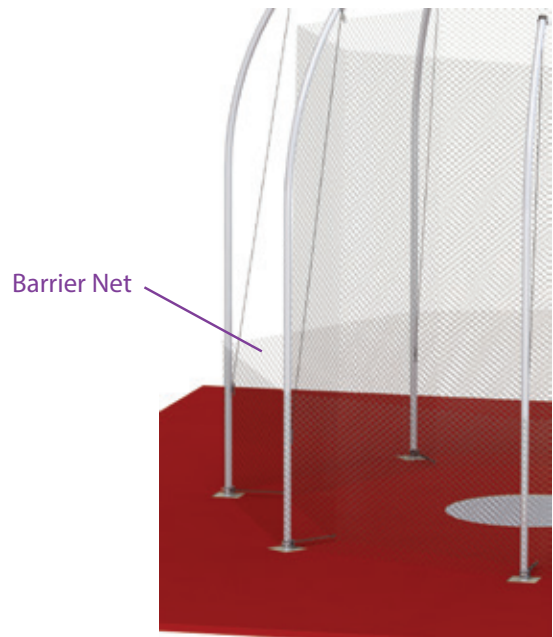


Side View



NET

- 77' of 44mm knotless nylon netting with an 804lb (365kg) breaking cord strength
- 5mm diameter cord
- Ropes are included for raising/lowering
- Main net has skirt loose bottom design for maximum protection
- Optional barrier net (?) is available



Barrier Net



DESCRIPTION OF COMPONENTS

72" x 16½" foam padding with grommets and lacing for post attachment

Padding helps prevent damage to both the throwing implement and the doors of the cage during errant throws

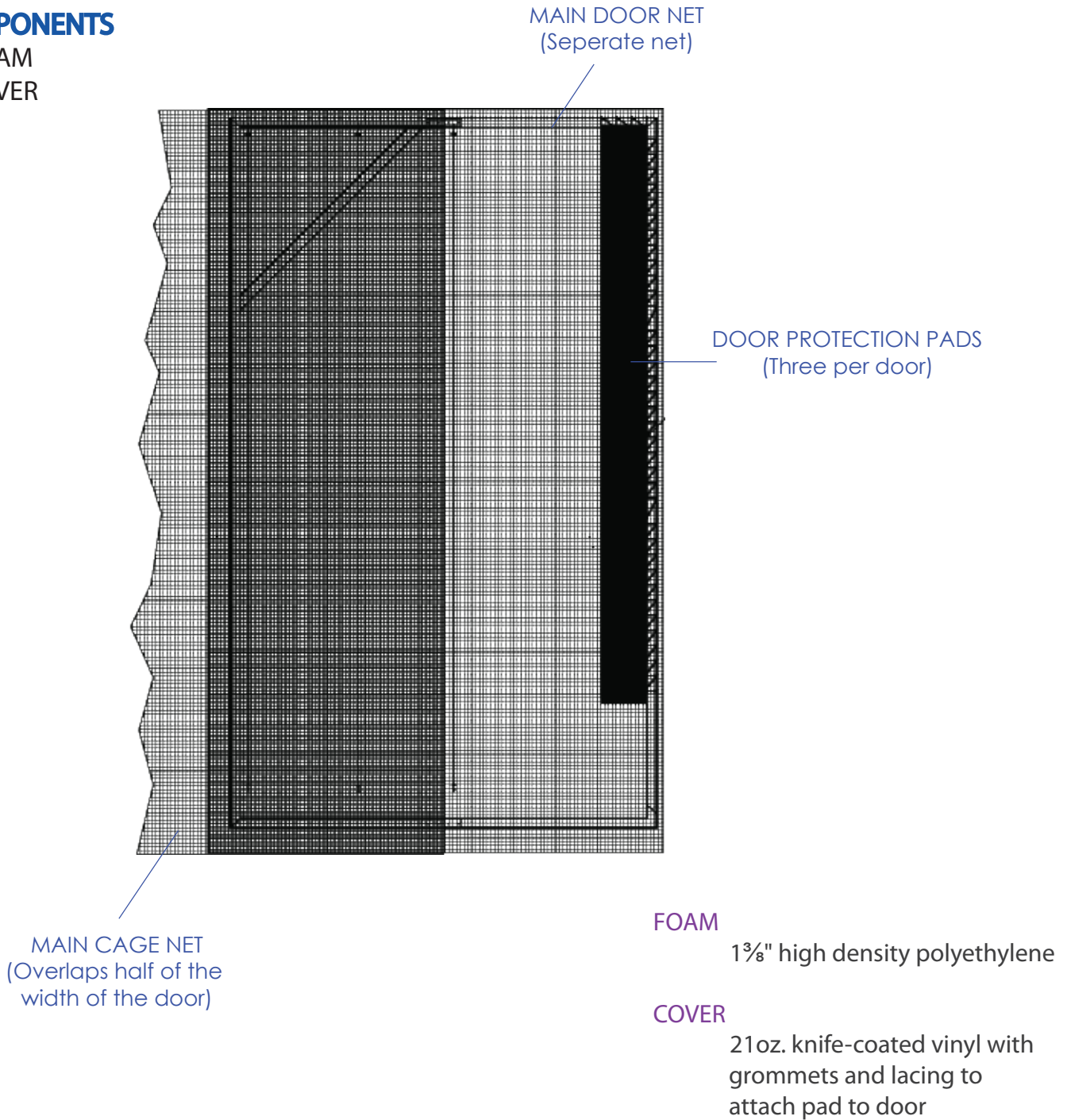
UCS recommends three pads per door, six pads per cage

Vinyl Color Options



COMPONENTS

- A. FOAM
- B. COVER

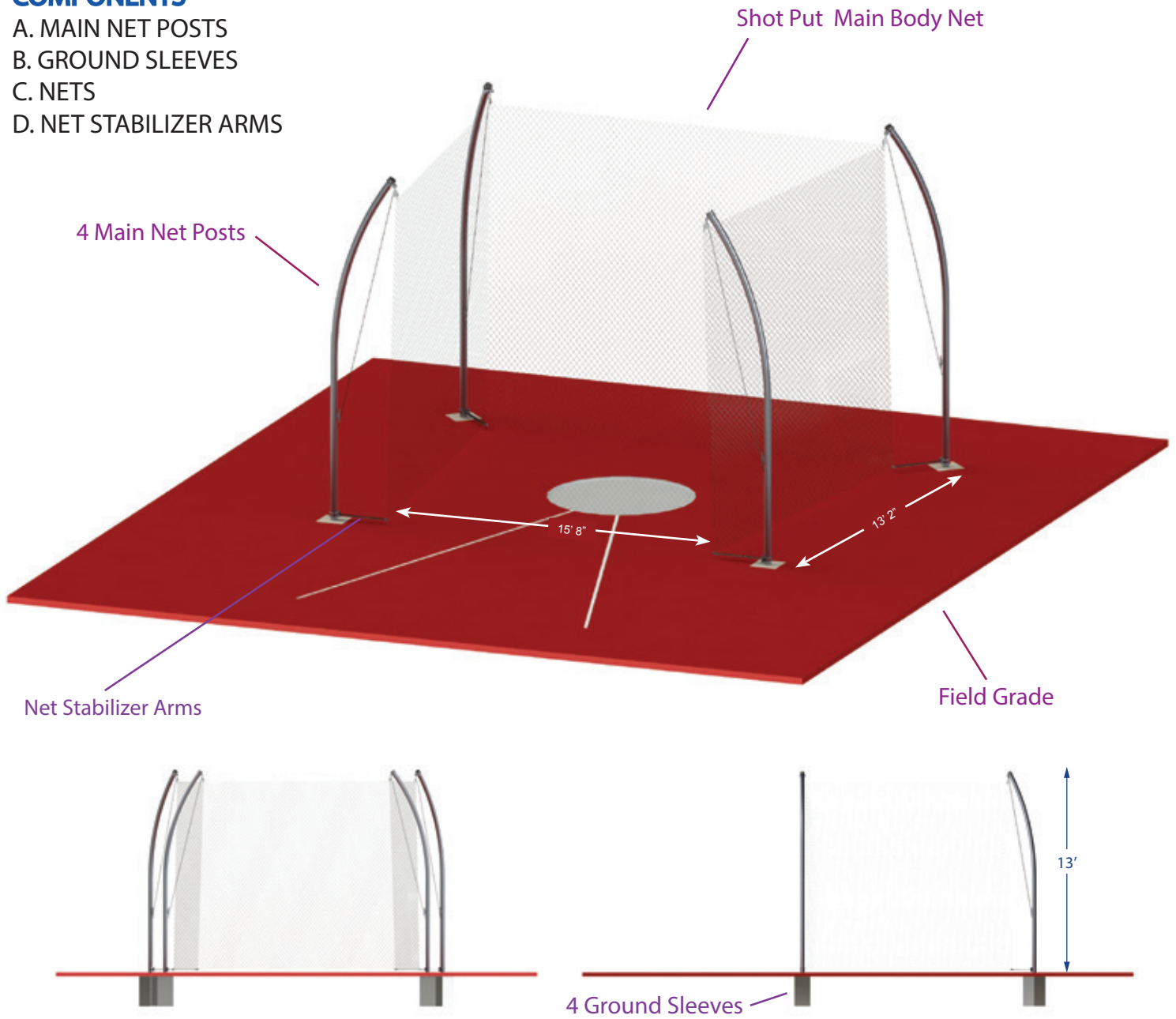


FOAM
1³/₈" high density polyethylene

COVER
21oz. knife-coated vinyl with grommets and lacing to attach pad to door

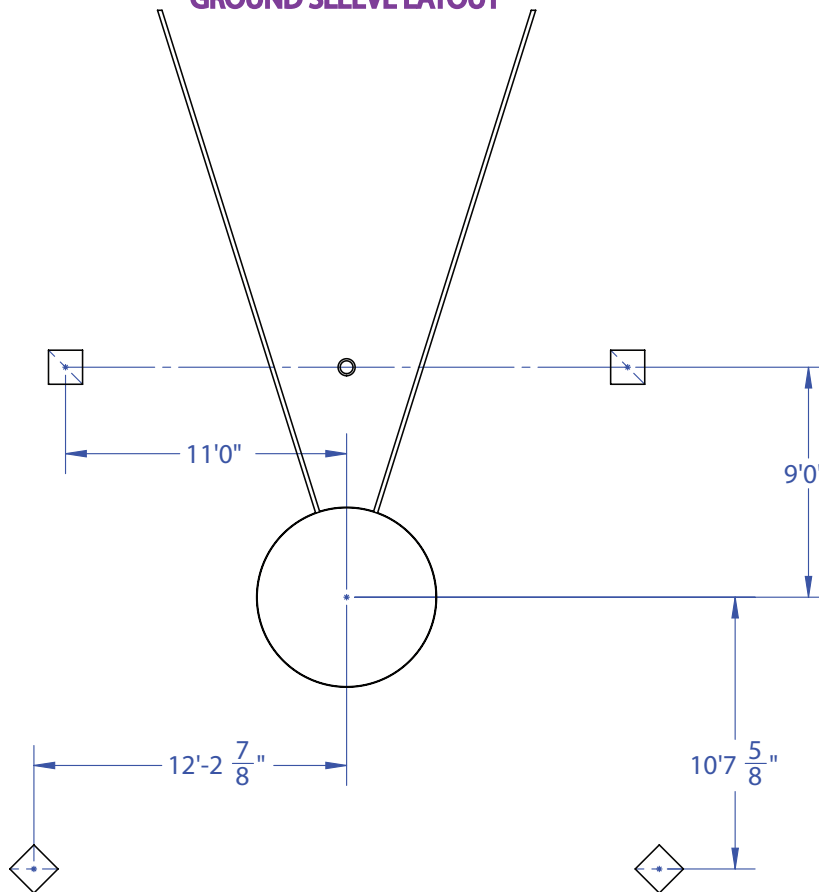
COMPONENTS

- A. MAIN NET POSTS
- B. GROUND SLEEVES
- C. NETS
- D. NET STABILIZER ARMS

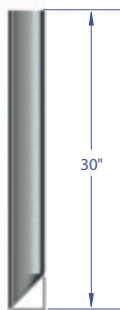


RULE AND STANDARD COMPLIANCE
NCAA

GROUND SLEEVE LAYOUT



Aluminum Cap



Ground Sleeve

DESCRIPTION OF GROUND SLEEVES

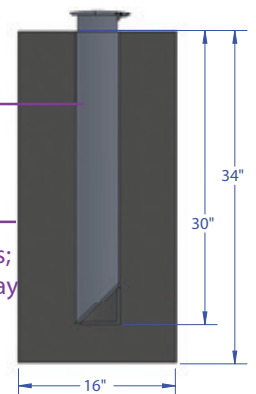
(4) 30"

Aluminum with a 45 degree base to match post 45 degree angle, locking posts into position

Aluminum caps included to cover ground sleeves when posts are removed

Ground Sleeve

Footing
(check local codes; soil conditions may vary)



RULE AND STANDARD COMPLIANCE

NCAA

DESCRIPTION OF MAIN NET POSTS

(4) 19' 5" in overall length, with an above ground height of 16' 11" 4" O.D. sch. 40 aluminum Aluminum mill finish Features a rope storage cleat and pulleys to assist in raising/lowering the net



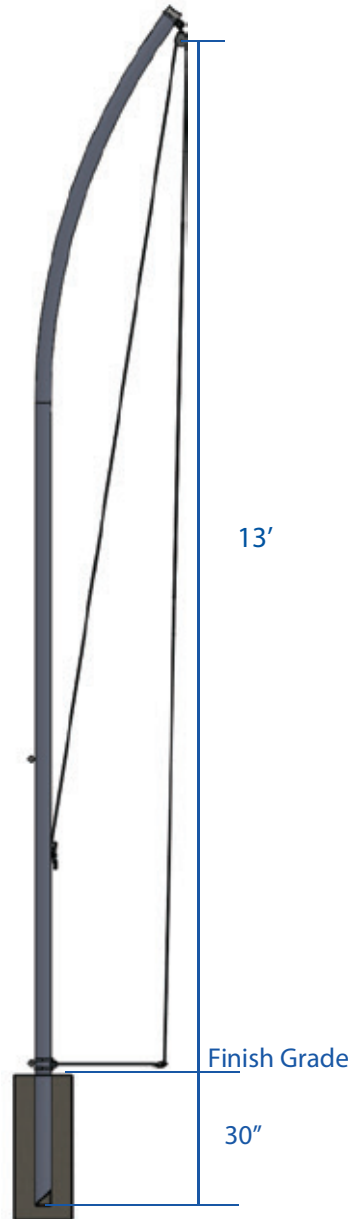
Pulley and Snap

Holds net and allows for easy net lifting, lowering, and removal



Cleat

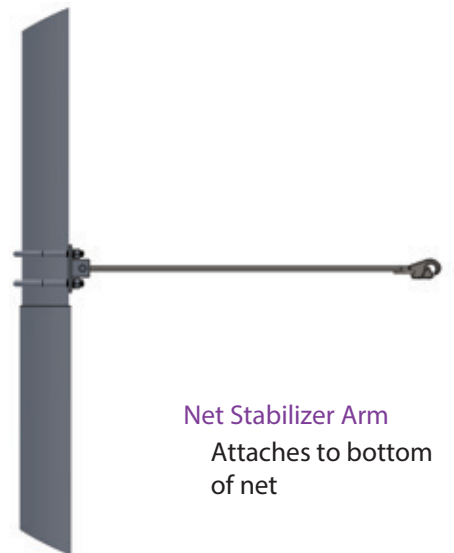
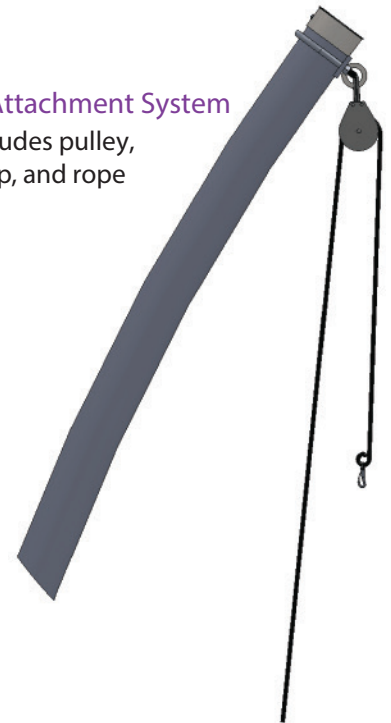
Used to tether rope to post



Galvanized Endcap
Weather resistant

Net Attachment System

Includes pulley, snap, and rope



Net Stabilizer Arm

Attaches to bottom of net

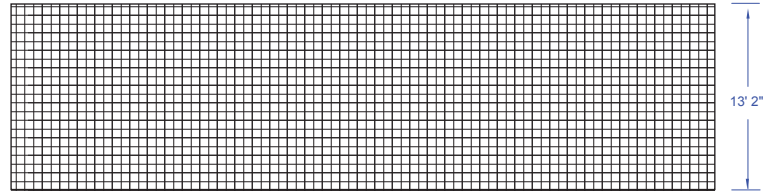
RULE AND STANDARD COMPLIANCE

NCAA

DESCRIPTION OF NET STABILIZER ARMS

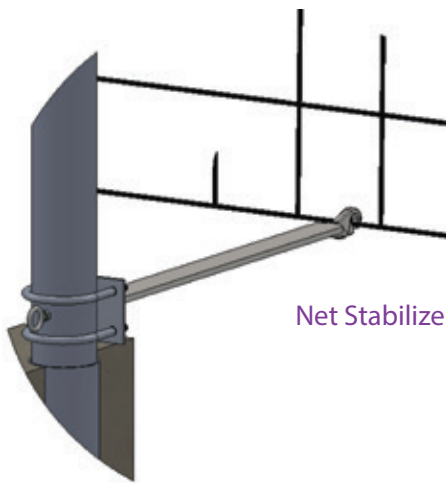
Galvanized and powder coated steel arm extend 30 1/2" from posts and attach to net

When the implement hits the net, it absorbs the shock and allows the implement to fall to the ground; the arms return net to its original hanging position

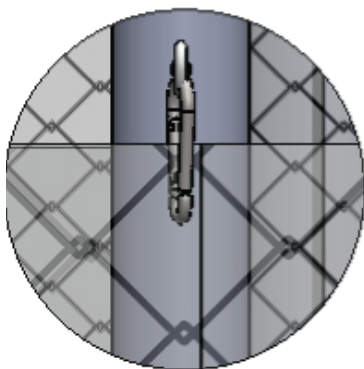


NET

- 58' of 44mm knotless nylon netting with an 804lb (365kg) breaking cord strength
- 5mm diameter cord
- Ropes are included for raising/lowering
- Main net has skirt loose bottom design for maximum protection



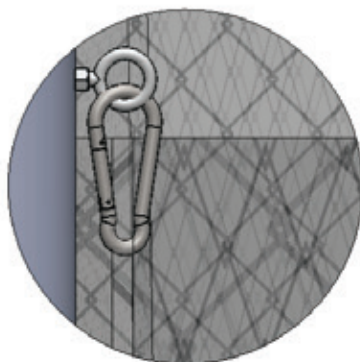
Net Stabilizer Arm



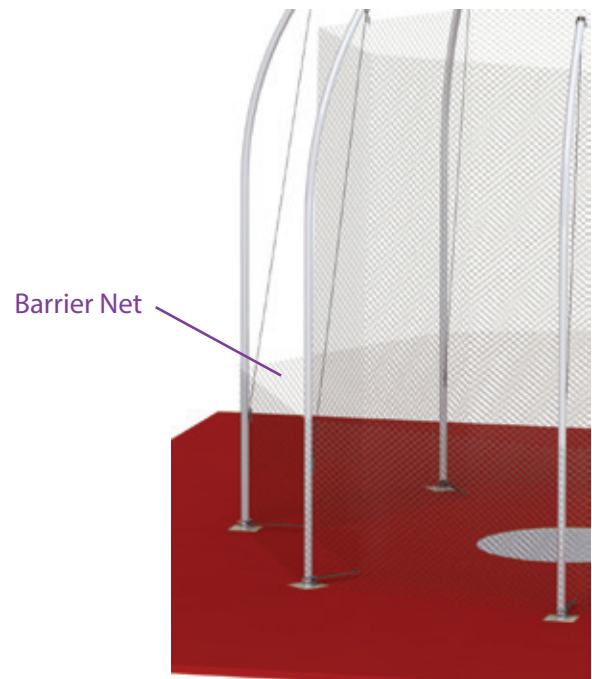
Front View

Barrier Net Attachment

Eyebolt and carabiner for net attachment



Side View

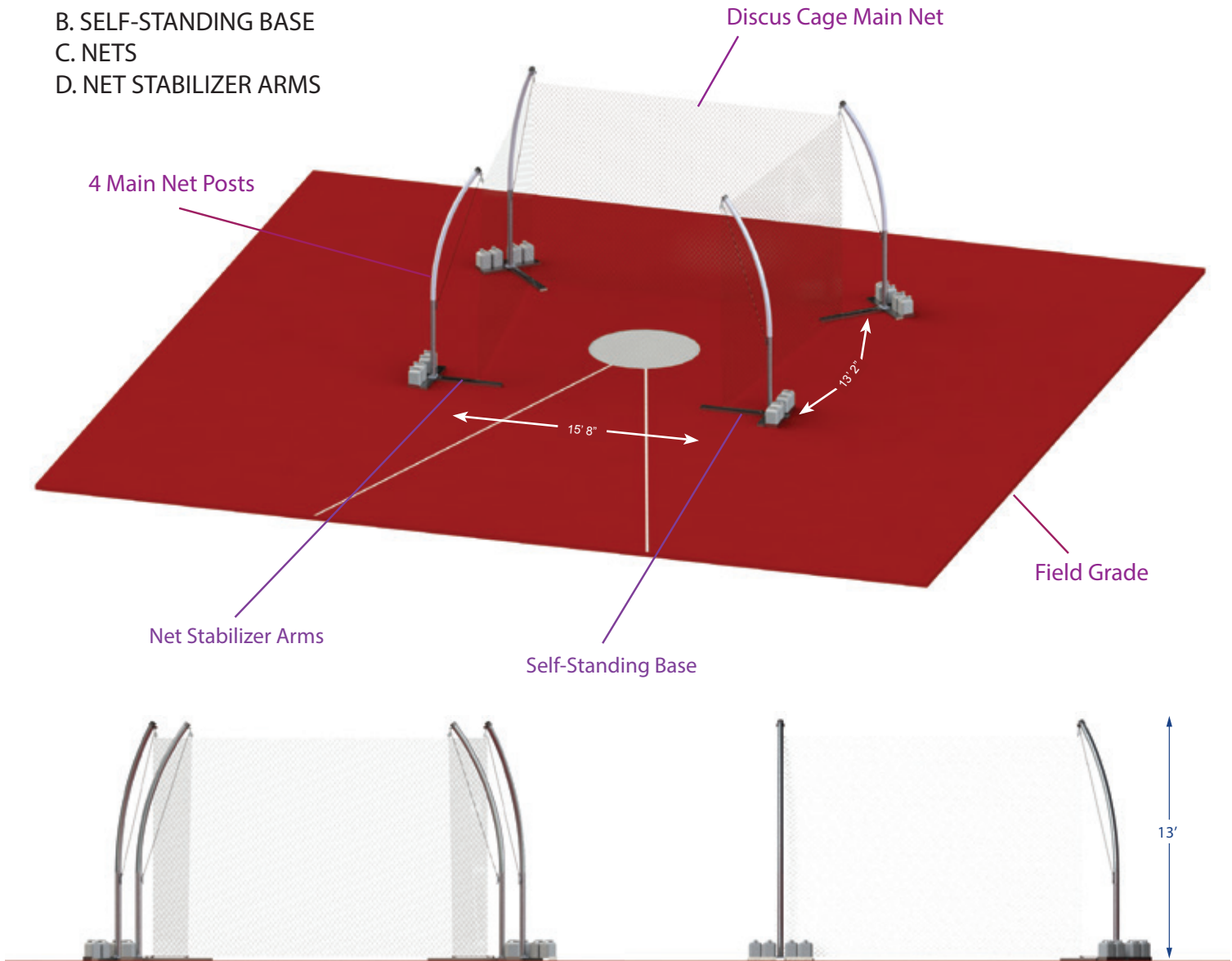


Barrier Net

RULE AND STANDARD COMPLIANCE
NFHS

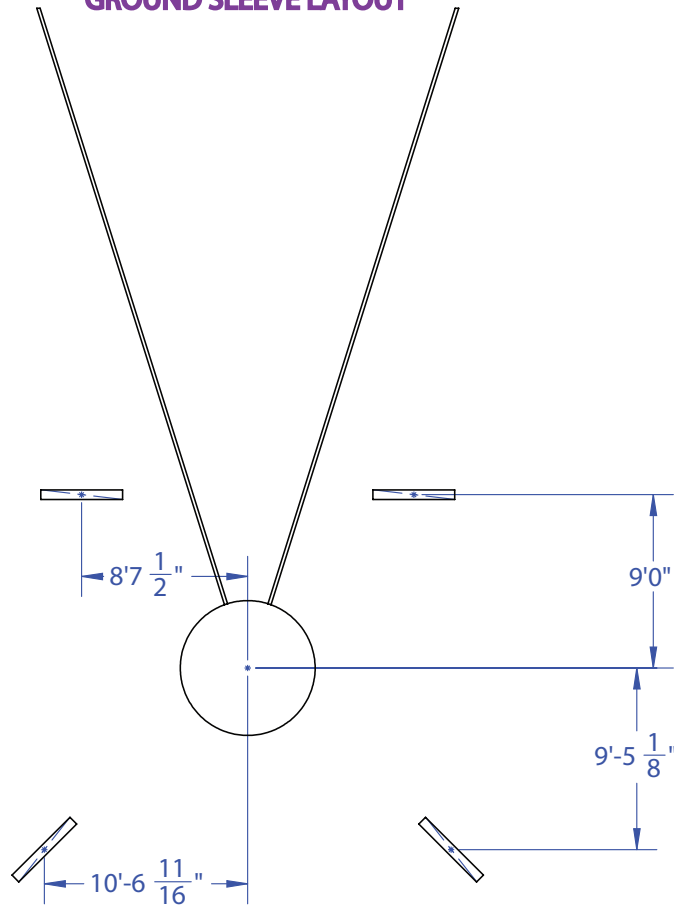
COMPONENTS

- A. MAIN NET POSTS
- B. SELF-STANDING BASE
- C. NETS
- D. NET STABILIZER ARMS



RULE AND STANDARD COMPLIANCE
NFHS

GROUND SLEEVE LAYOUT



Self-Standing Base

DESCRIPTION OF SELF-STANDING BASE

48" wide, 51" long, 2" thick
2" x 6" x 1/8 steel rectangular tubing
Each base has two 10" storage areas for
5 gallon weight stabilizers with vinyl
coverings

RULE AND STANDARD COMPLIANCE
NFHS

DESCRIPTION OF MAIN NET POSTS

(9) 14' 3" in overall length, with an above ground height of 14' 3" 4" O.D. sch. 40 aluminum Aluminum mill finish Features a rope storage cleat and pulleys to assist in raising/lowering the net



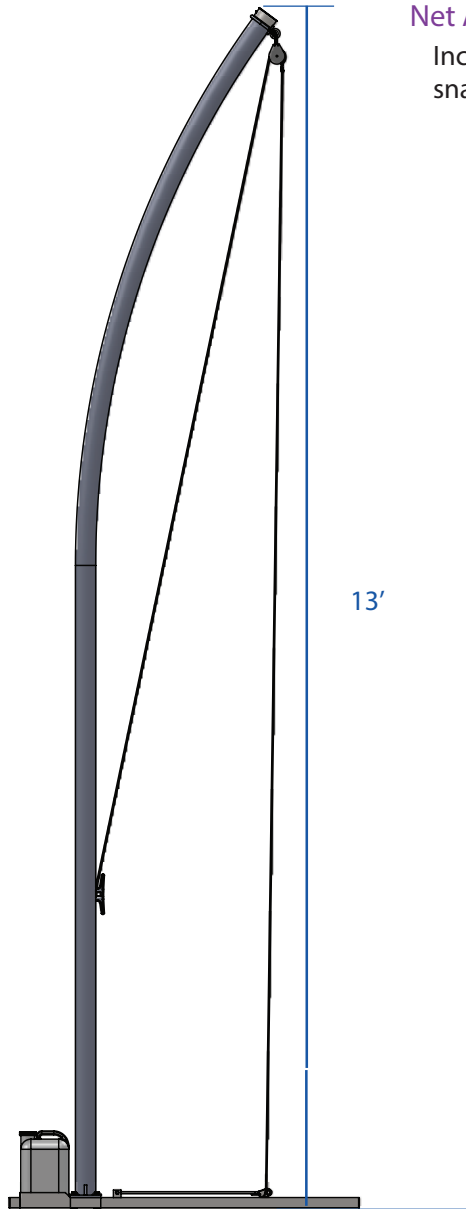
Pulley and Snap

Holds net and allows for easy net lifting, lowering, and removal



Cleat

Used to tether rope to post

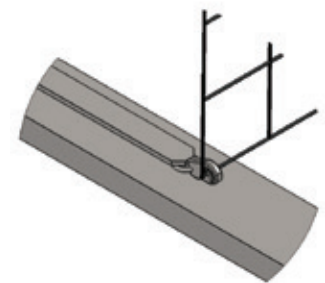
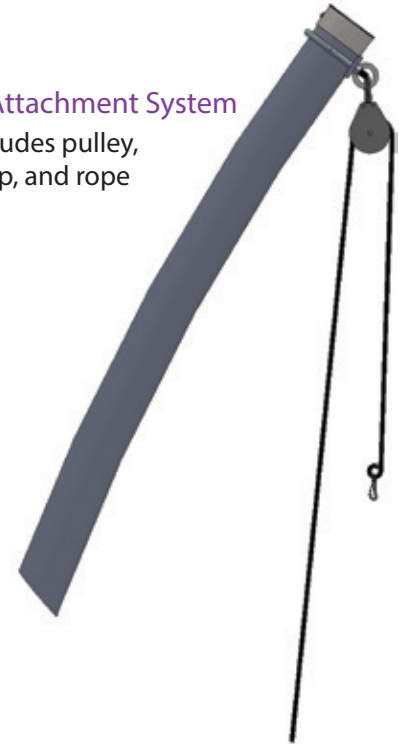


13'

Galvanized Endcap
Weather resistant

Net Attachment System

Includes pulley, snap, and rope



Net Stabilizer Arm

Attaches to bottom of net

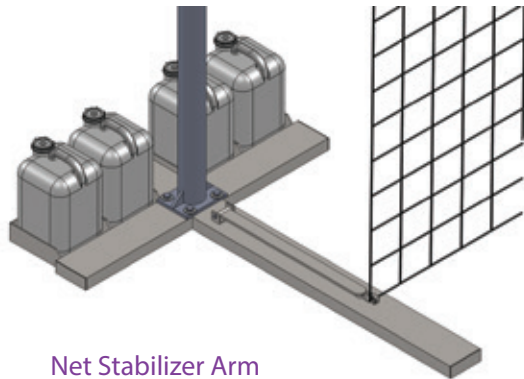
RULE AND STANDARD COMPLIANCE

NFHS

DESCRIPTION OF NET STABILIZER ARMS

Galvanized and powder coated steel arm extend 30 1/2" from posts and attach to net

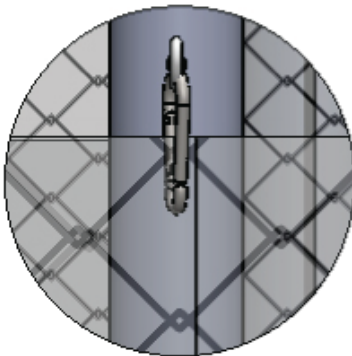
When the implement hits the net, it absorbs the shock and allows the implement to fall to the ground; the arms return net to its original hanging position



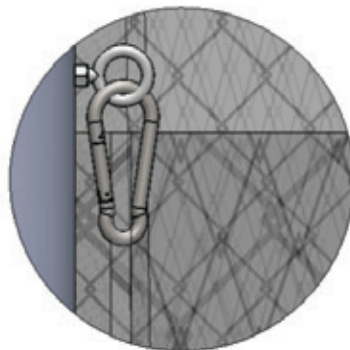
Net Stabilizer Arm

Barrier Net Attachment

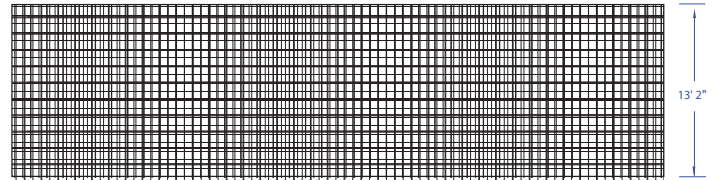
Eyebolt and carabiner for net attachment



Front View

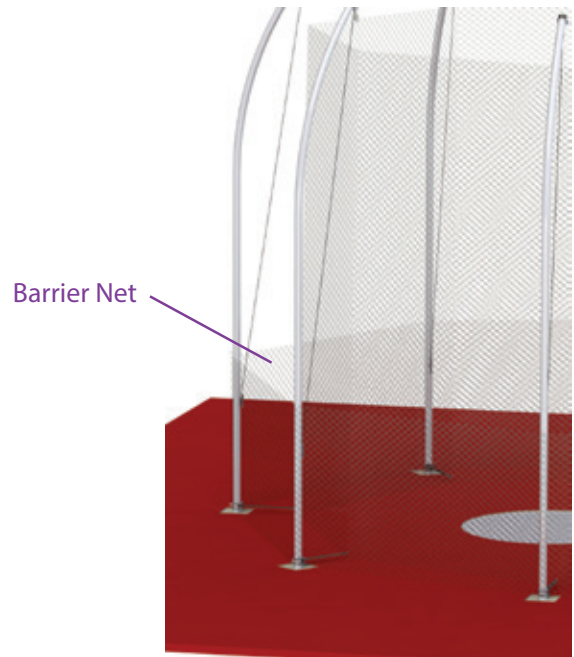


Side View



NET

58' of 44mm knotless nylon netting with an 804lb (365kg) breaking cord strength
5mm diameter cord
Ropes are included for raising/lowering
Main net has skirt loose bottom design for maximum protection

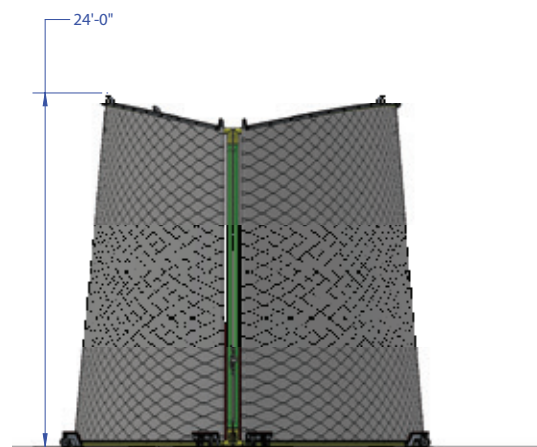
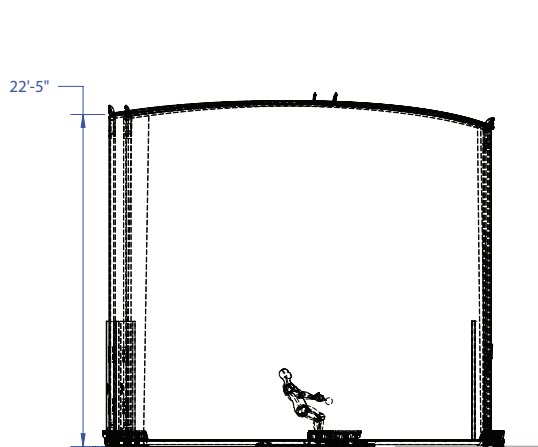
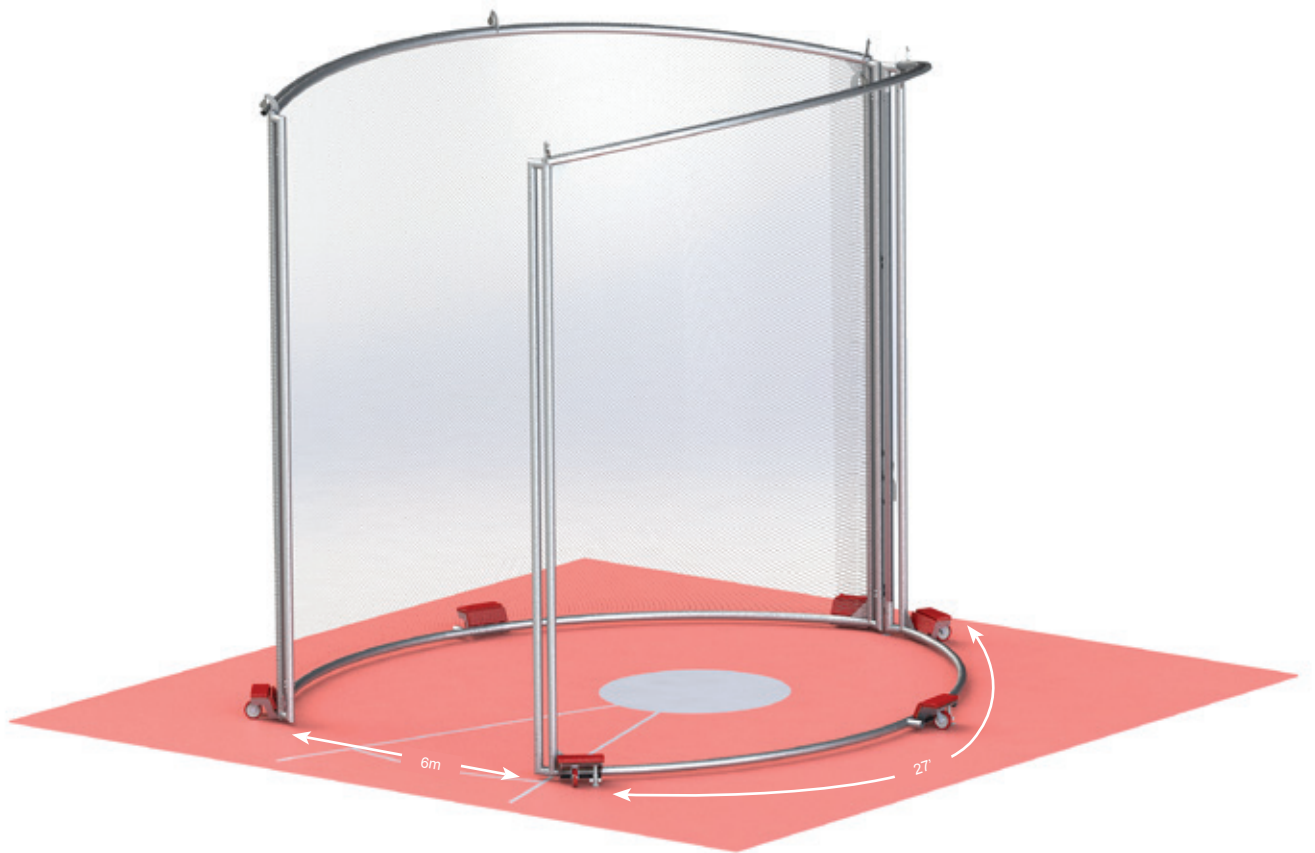


Barrier Net

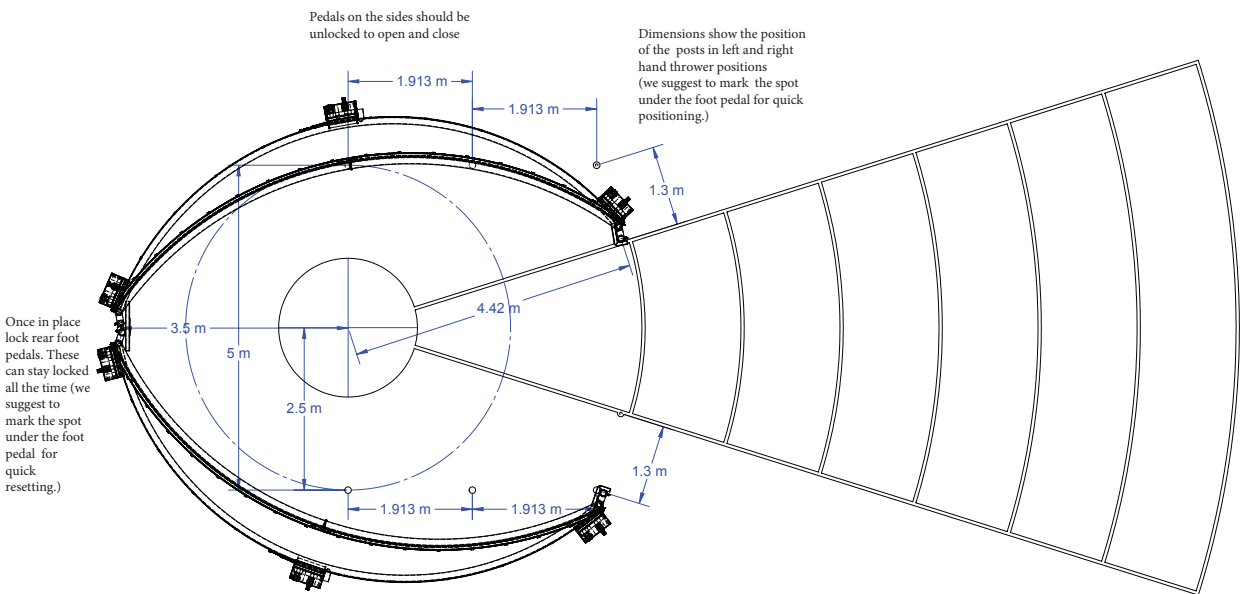
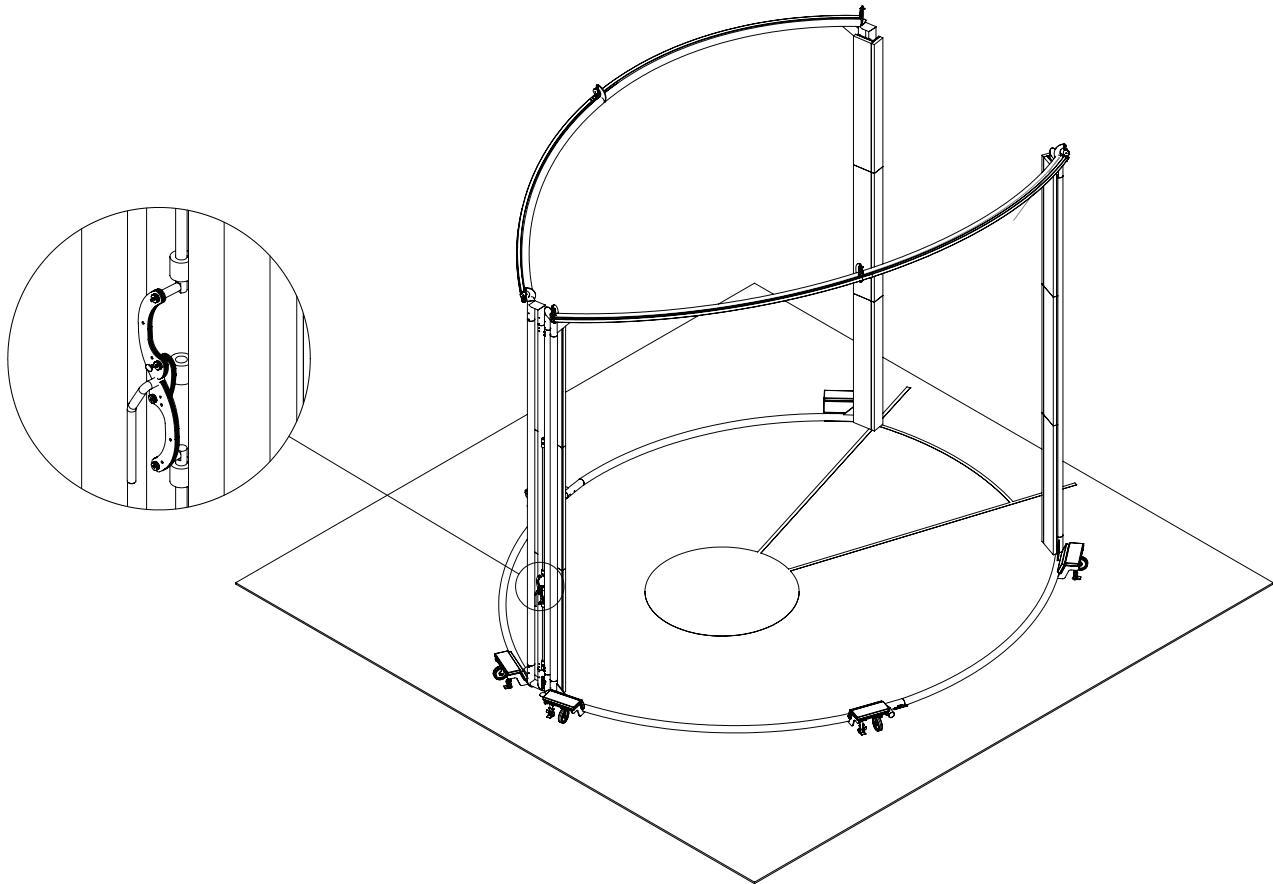
RULE AND STANDARD COMPLIANCE

NCAA

- 22' Overall Height
- 4" OD x 1/4" Thick Aluminum Extrusions
- Patent pending Clam Shell Movement
- Upper and Lower Net Stabilizer Bars



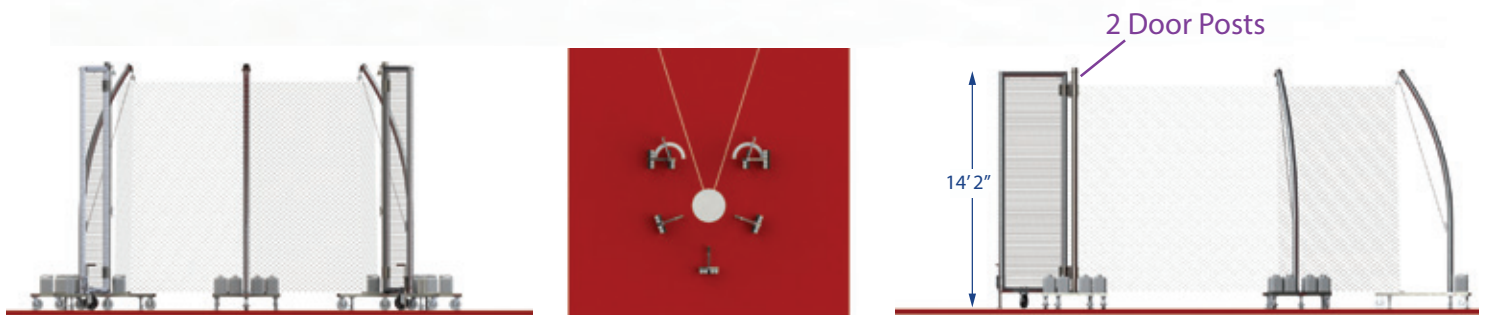
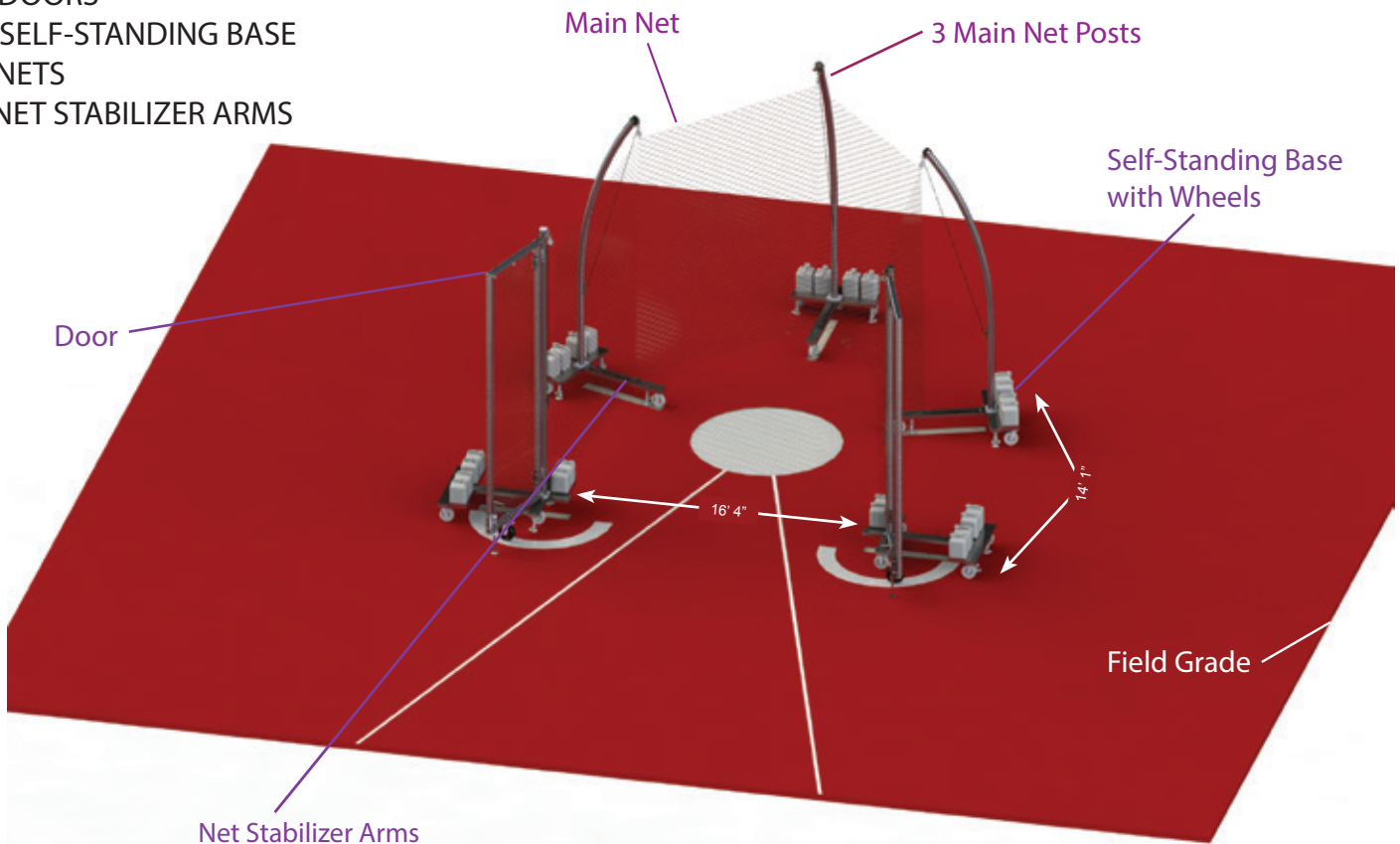
RULE AND STANDARD COMPLIANCE
NCAA



RULE AND STANDARD COMPLIANCE
NCAA

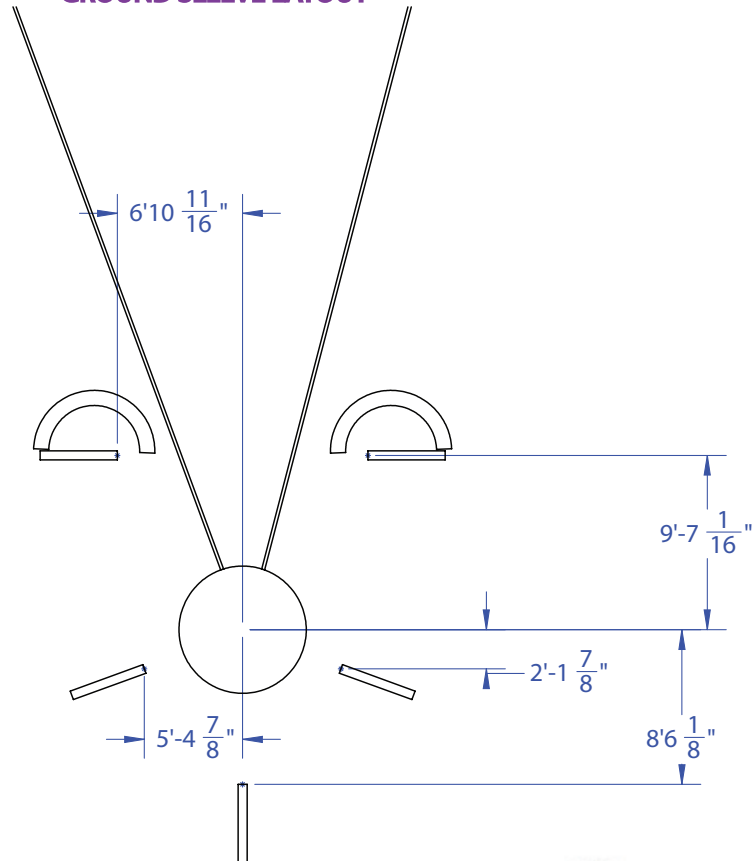
COMPONENTS

- A. MAIN NET POSTS
- B. DOOR POSTS
- C. DOORS
- D. SELF-STANDING BASE
- E. NETS
- F. NET STABILIZER ARMS



RULE AND STANDARD COMPLIANCE
NCAA

GROUND SLEEVE LAYOUT



DESCRIPTION OF SELF-STANDING BASE WITH WHEELS

48" wide, 51" long, 2" thick
2" x 6" x 1/8" steel rectangular tubing
Each base has two 10" storage areas for
5 gallon weight stabilizers with vinyl
coverings



RULE AND STANDARD COMPLIANCE
NCAA

DESCRIPTION OF MAIN NET POSTS

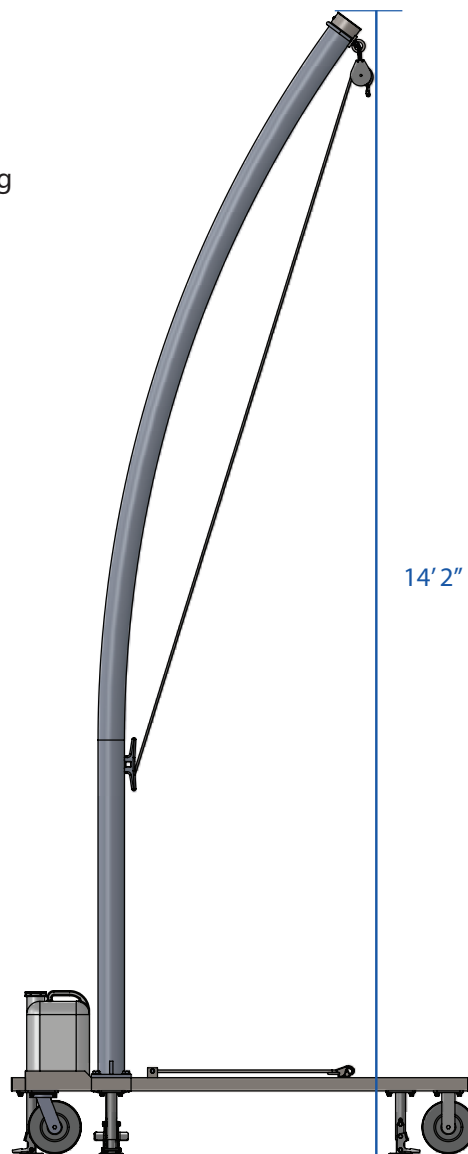
(3) 14' 2" in overall length
13' 8" above ground height
4" O.D. sch. 40 aluminum
Aluminum mill finish
Features a rope storage cleat and pulleys to assist in raising/lowering the net



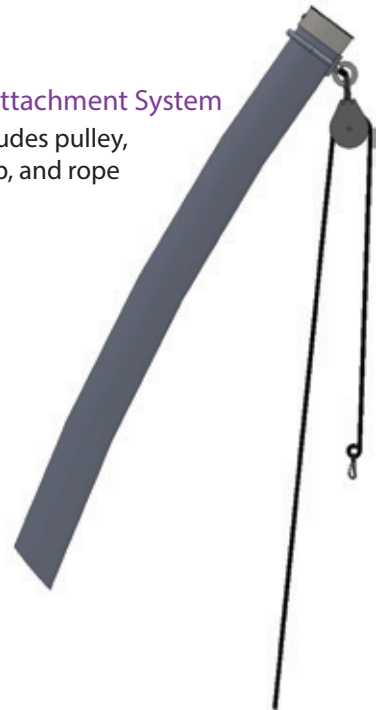
Pulley and Snap
Holds net and allows for easy net lifting, lowering, and removal



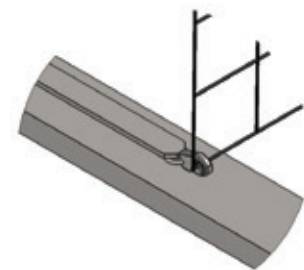
Cleat
Used to tether rope to post



Net Attachment System
Includes pulley, snap, and rope



Galvanized Endcap
Weather resistant



Net Stabilizer Arm
Attaches to bottom of net

RULE AND STANDARD COMPLIANCE
NCAA

DESCRIPTION OF DOOR COMPONENTS

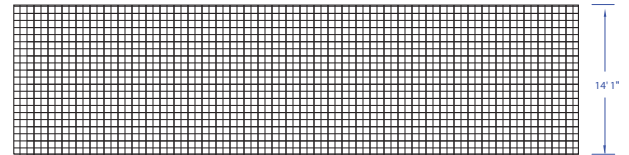
DOOR POSTS

(2) 14' 6 1/2" in overall length
4" O.D. galvanized steel posts
Double action hinges
Supported by steel water base system



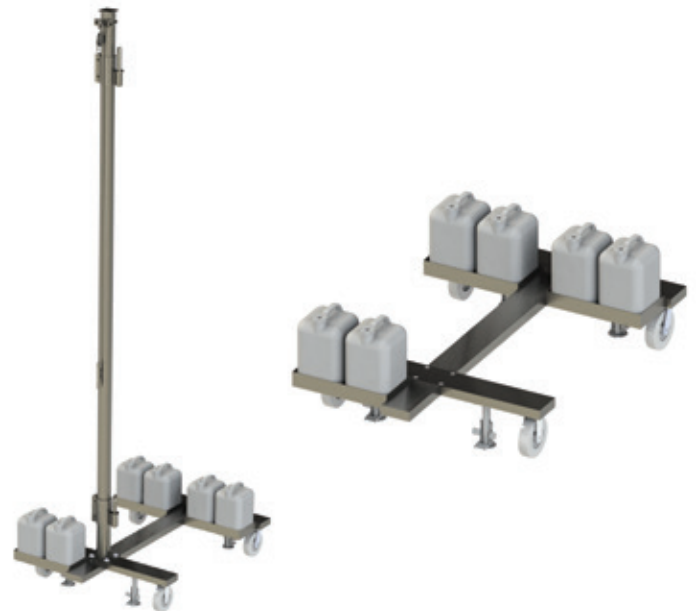
DOORS

(2) 14' 3" high doors
Fully welded frame
Wheel mounted makes opening
and closing doors easy
Locking device is included



NET

72' of 44mm knotless nylon netting with an
804lb (365kg) breaking cord strength
5mm diameter cord
Ropes are included for raising/lowering
Main net has skirt loose bottom design for
maximum protection



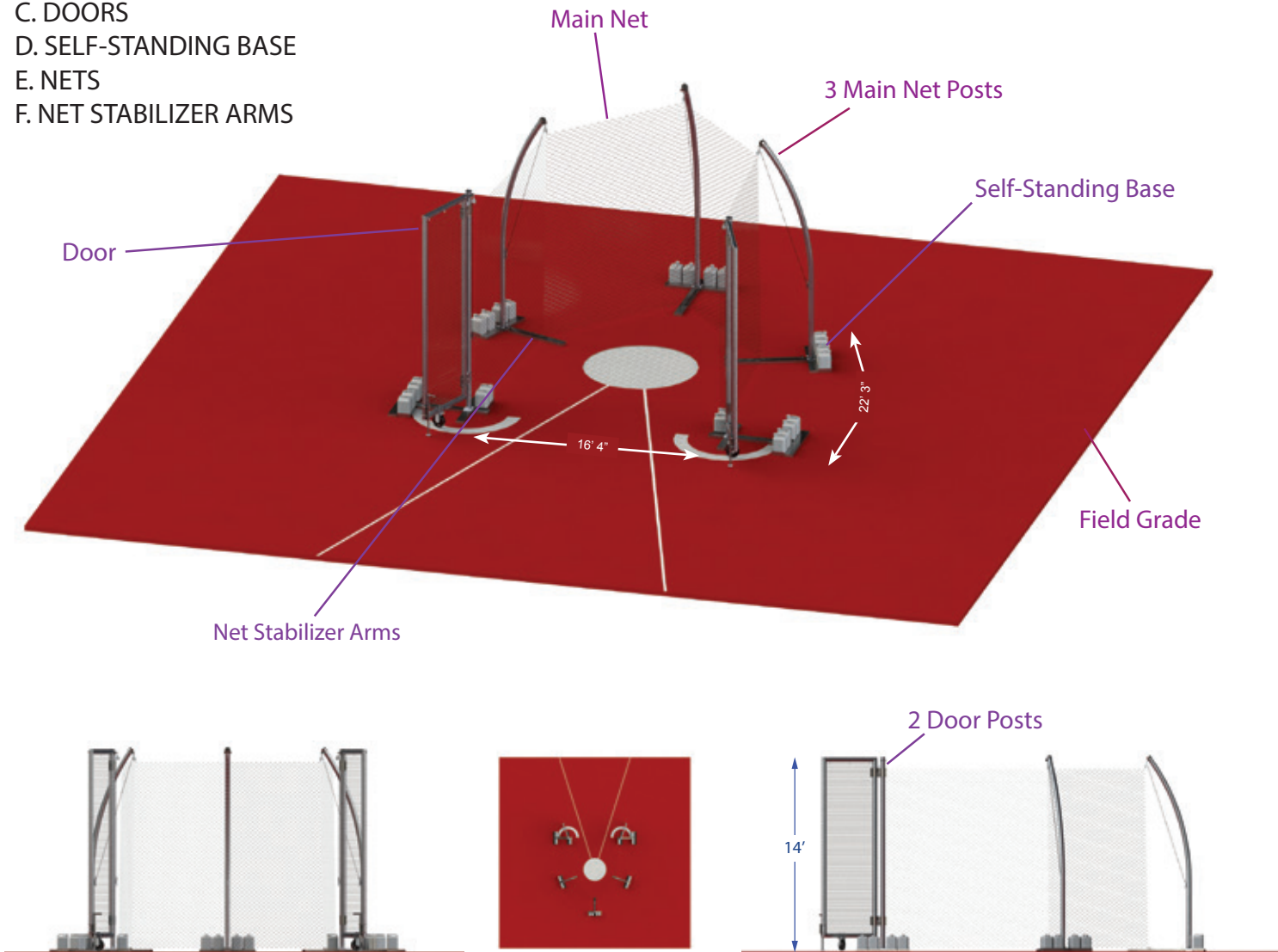
DESCRIPTION OF SELF-STANDING BASE FOR DOORS

48" wide, 51" long, 2" thick
2" x 6" x 1/8 steel rectangular tubing
Each base has two 10" storage areas for
6 gallon weight stabilizers with vinyl
coverings

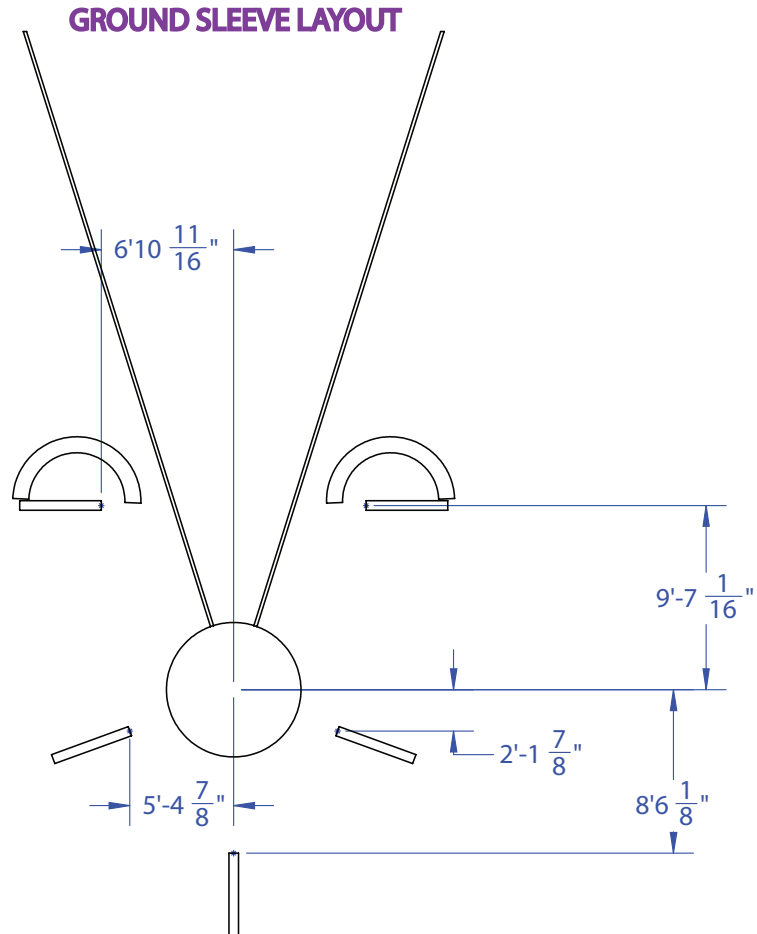
RULE AND STANDARD COMPLIANCE
NCAA

COMPONENTS

- A. MAIN NET POSTS
- B. DOOR POSTS
- C. DOORS
- D. SELF-STANDING BASE
- E. NETS
- F. NET STABILIZER ARMS



RULE AND STANDARD COMPLIANCE
NCAA



DESCRIPTION OF SELF-STANDING BASE

48" wide, 51" long, 2" thick
2" x 6" x 1/8" steel rectangular tubing
Each base has two 10" storage areas for
5 gallon weight stabilizers with vinyl
coverings



RULE AND STANDARD COMPLIANCE
NCAA

DESCRIPTION OF MAIN NET POSTS

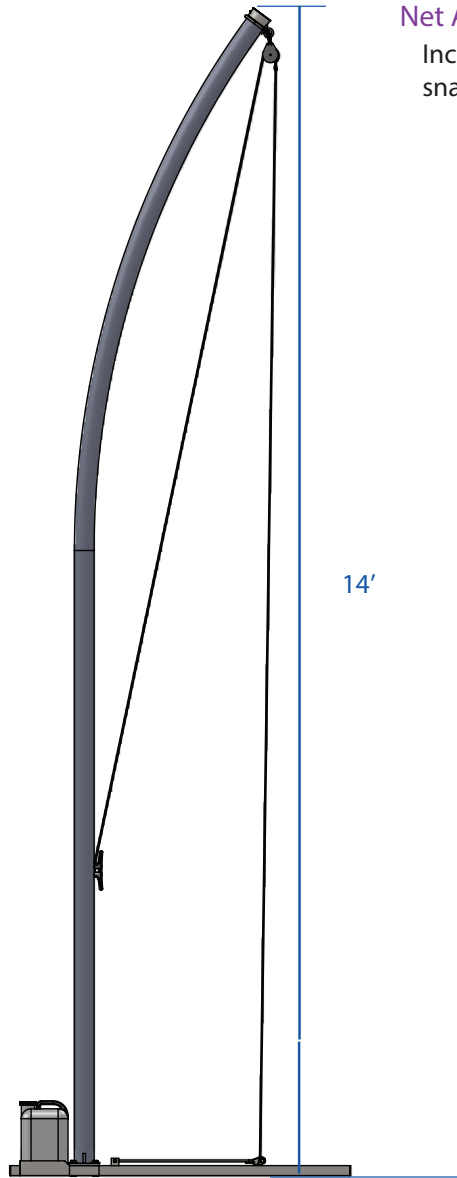
(3) 14' in overall length
13' 8" above ground height
4" O.D. sch. 40 aluminum
Aluminum mill finish
Features a rope storage cleat and pulleys to assist in raising/lowering the net



Pulley and Snap
Holds net and allows for easy net lifting, lowering, and removal



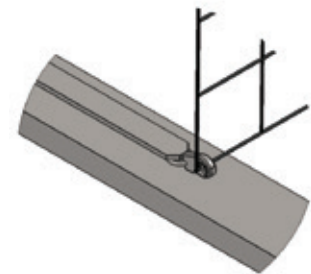
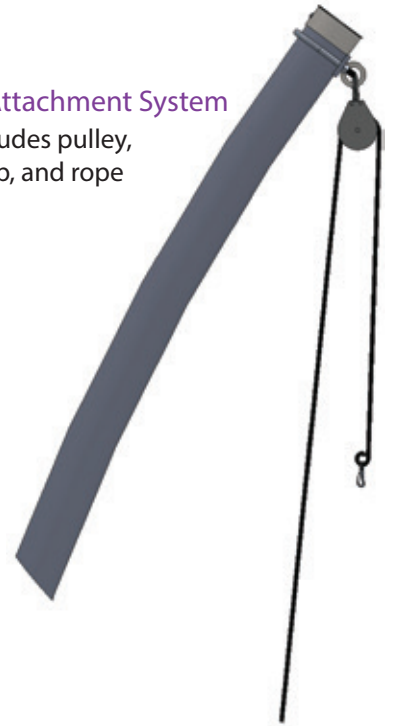
Cleat
Used to tether rope to post



14'

Galvanized Endcap
Weather resistant

Net Attachment System
Includes pulley, snap, and rope



Net Stabilizer Arm
Attaches to bottom of net

RULE AND STANDARD COMPLIANCE

NCAA

DESCRIPTION OF DOOR COMPONENTS

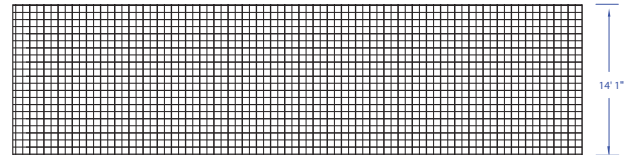
DOOR POSTS

- (2) 14' 4" in overall length
- 4" O.D. galvanized steel posts
- Double action hinges
- Supported by steel water base system



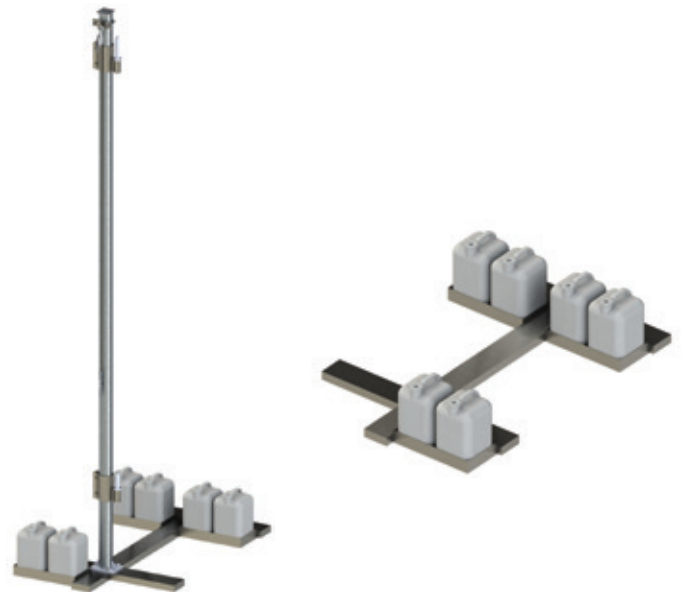
DOORS

- (2) 14' 3" high doors
- Fully welded frame
- Mounted wheel makes opening and closing doors easy
- Locking device is included



NET

- 72' of 44mm knotless nylon netting with an 804lb (365kg) breaking cord strength
- 5mm diameter cord
- Ropes are included for raising/lowering
- Main net has skirt loose bottom design for maximum protection



DESCRIPTION OF SELF-STANDING BASE FOR DOORS

- 48" wide, 51" long, 2" thick
- 2" x 6" x 1/8 steel rectangular tubing
- Each base has two 10" storage areas for 3 gallon weight stabilizers with vinyl coverings