



ATHLETIC FACILITIES

---

## SPORT GOALS

- Soccer Goals
- Field Hockey Goals
- Lacrosse Goals

**RULE AND STANDARD COMPLIANCE**

NCAA  
NFHS  
FIFA

**DESCRIPTION OF COMPONENTS**

- GROUND SLEEVE SYSTEM
- Four ground sleeves and covers included
- Goals can be easily removed and stored for the off-season

**4MM HIGH-STRENGTH NET**

- The polypropylene hexagon design is a UCS original proven with decades of use

**NET ATTACHMENT SYSTEM**

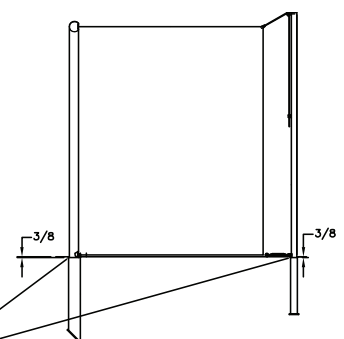
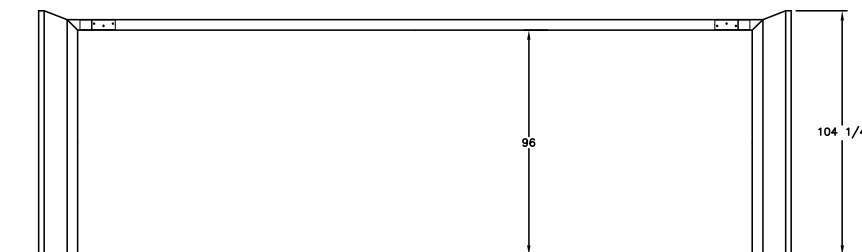
- Welded to the 4<sup>3</sup>/<sub>8</sub>" profile rather than removable plastic attachments

**4<sup>3</sup>/<sub>8</sub>" ALUMINUM EXTRUSIONS**

- Mitered and welded corners
- Sandblasted and powder coated to maintain a high luster finish

**NET TENSION SYSTEM**

- Shape is maintained with a turnbuckle tension system exclusive to UCS
- OVI cables attached to the back stays and throughout the net's base can be easily tightened for game use or removed for field maintenance
- Upper corners of the net are held secure and square with a pulley clamp system



GRADE 3/8" ABOVE THE TOP EDGES  
OF ALL GROUND SLEEVES

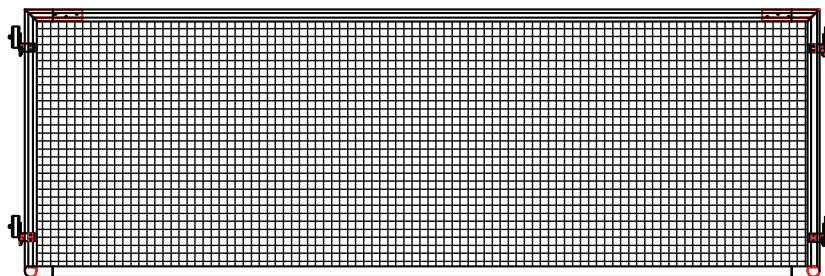
**RULE AND STANDARD COMPLIANCE**

NCAA  
NFHS



**DESCRIPTION OF COMPONENTS**

- Nets and four wheels are included
- Welded one-piece side units
- Meets safety and performance specification F2056 of the ASTM
- Back bars for extra strength and weight are included!
- Manufactured out of 4½" aluminum tube
- Sandblasted and electrostatically powder coated white
- Back stays are manufactured out of two schedule 40 aluminum tubes as well as a specially designed sloped aluminum anti-rebound ground frame extrusion
- Rigid welded side frame construction comes with reinforced corner areas
- Four wheels are included with up (A) and down positions
- Dimensions: 8'h x 24'w x 8'd base



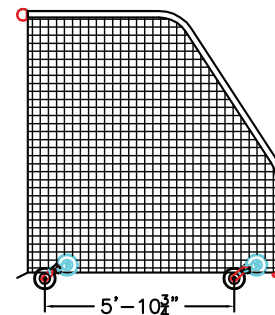
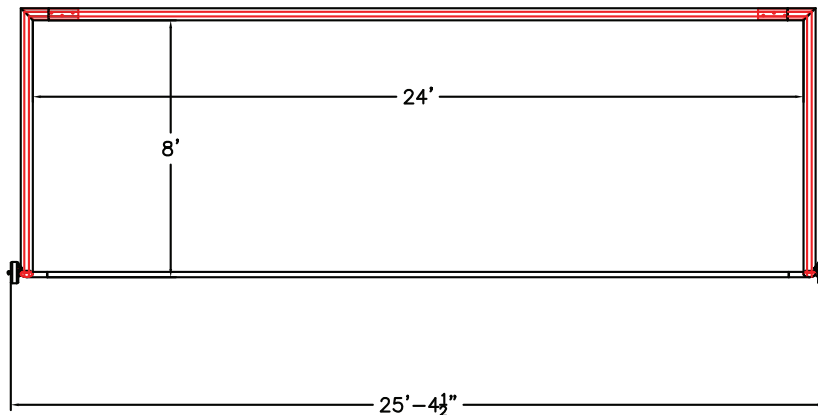
4MM HIGH-STRENGTH NET  
• Polypropylene square box design

**NET ATTACHMENT SYSTEM**

- Welded to the 4<sup>3</sup>/<sub>8</sub>" profile rather than removable plastic attachments

**40LB. ANCHOR WEIGHT BAGS**

- Rest across back bar to help prevent the goal from tipping (B)
- 18oz. UV rated double-coated vinyl



**RULE AND STANDARD COMPLIANCE**

NCAA  
NFHS

Part Numbers:  
• 905-7012

**Description and Features:**

- Official size 12' wide x 7' high x 4' Deep
- Sturdy 4 piece Construction
- Rigid welded side frame construction with reinforced corner areas
- Welded on Aluminum Net Attachment
- Can be assembled by two people in minutes
- 200 lbs per goal
- Stainless Steel tamper proof fasteners (12) per goal
- 2 Removable Wheels Per Goal- 10" Pneumatic

**Rule and Standard Compliance:**

- Meets NCAA, and NFHS specifications

**Construction:**

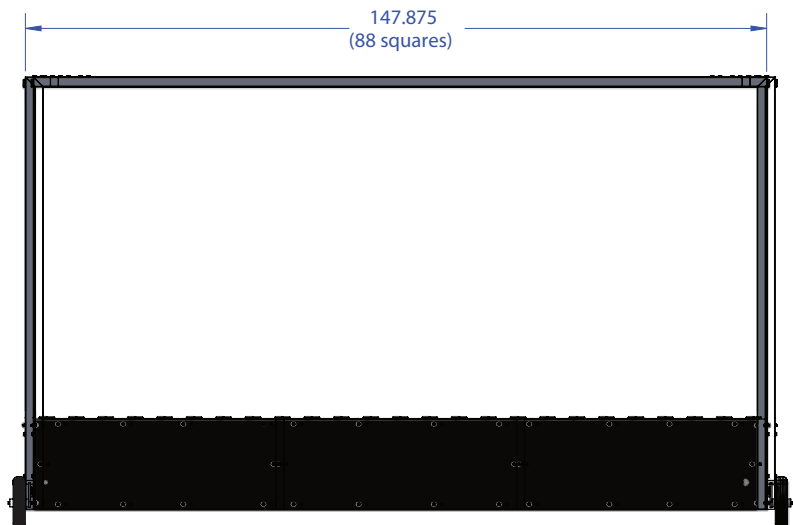
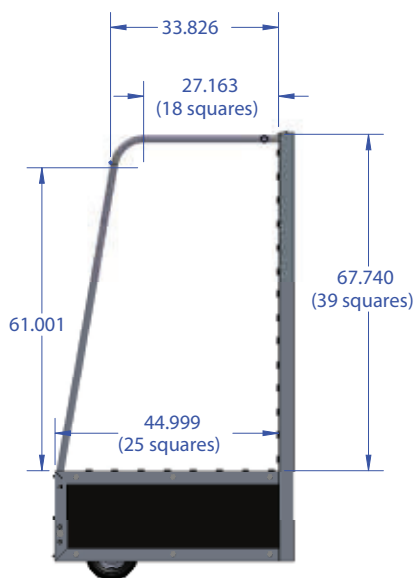
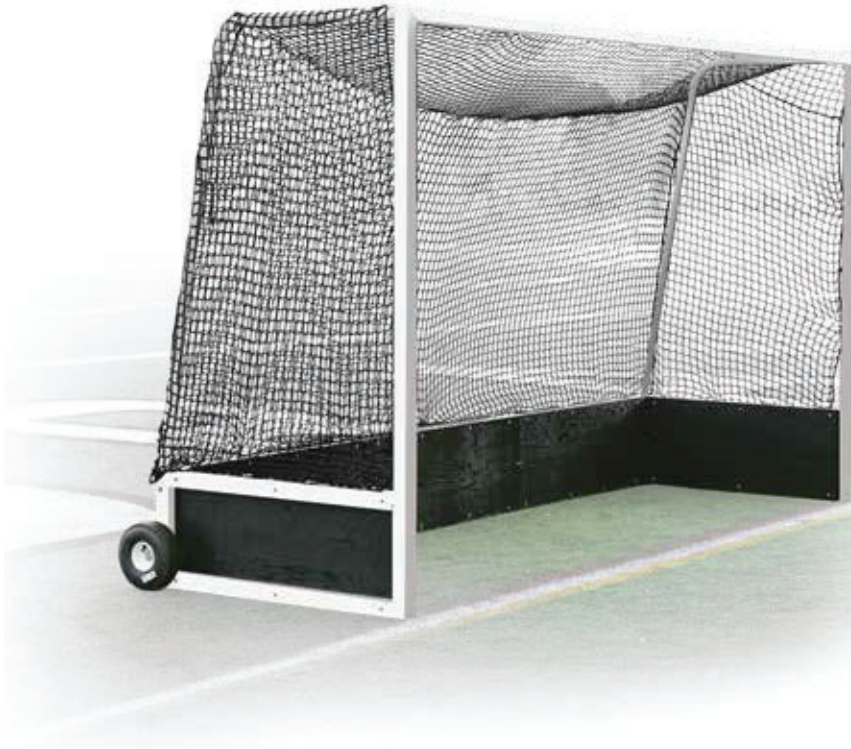
- Front & Rear crossbars/uprights: 2" x 3" Square aluminum extrusion
- Backboards: Durable 0.625 Marine Grade Plywood
- Net: 4mm chord, 100mm mesh high strength polypropylene net
- Connecting screws are 3/8-16 stainless steel.

**Finish:**

- Sand blasted and electrostatically powder coated white

**Notes: Manufactured and Available from:**

UCS Inc., 511 Hoffman Rd, Lincolnton, NC 28092.  
Contact: Michael Chappell, Ph. (704) 732-9922. Fax:  
(704) 732-9559. Michaelc@ucsspirit.com (E-Mail)



**RULE AND STANDARD COMPLIANCE**

NCAA  
NFHS

Part Numbers:  
• 900-6061

**Description and Features:**

- Official size 6' wide x 6' high x 7' Deep
- Sturdy Welded Goal Mouth Construction
- 1.9" Steel pipe with 4" steel flat bar bottom
- Continuous net attachment system
- Sandblasted and Powder coated Orange Frame

**Rule and Standard Compliance:**

- Meets NCAA, and NFHS specifications

**Construction:**

- Crossbars/uprights: 1.9" round steel
- Ground Frame: 4" Flat Bar
- Net: 5mm high strength polypropylene net

**Finish:**

- Sand blasted and electrostatically powder coated Orange

**Notes: Manufactured and Available from:**

UCS Inc., 511 Hoffman Rd, Lincolnton, NC 28092.  
Contact: Michael Chappell, Ph. (704) 732-9922. Fax:  
(704) 732-9559. Michaelc@ucsspirit.com (E-Mail)



Front

Side

