



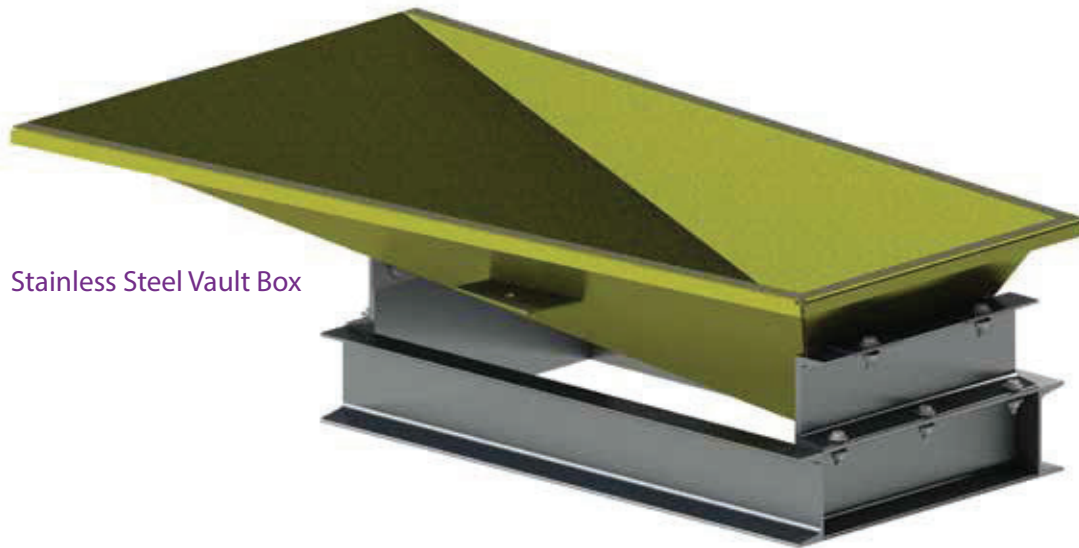
ATHLETIC FACILITIES

POLE VAULT BOXES

- Pole Vault Boxes

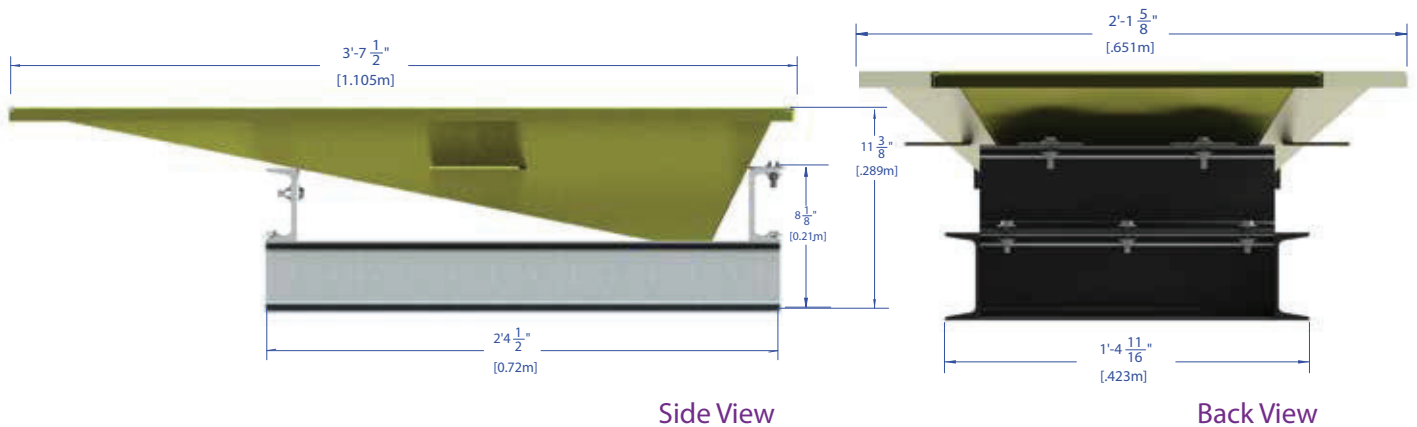
RULE AND STANDARD COMPLIANCE

World Athletics
USATF
NCAA
NFHS



Stainless Steel Vault Box

Aluminum Form



Side View

Back View

Description of Components

VAULT BOX

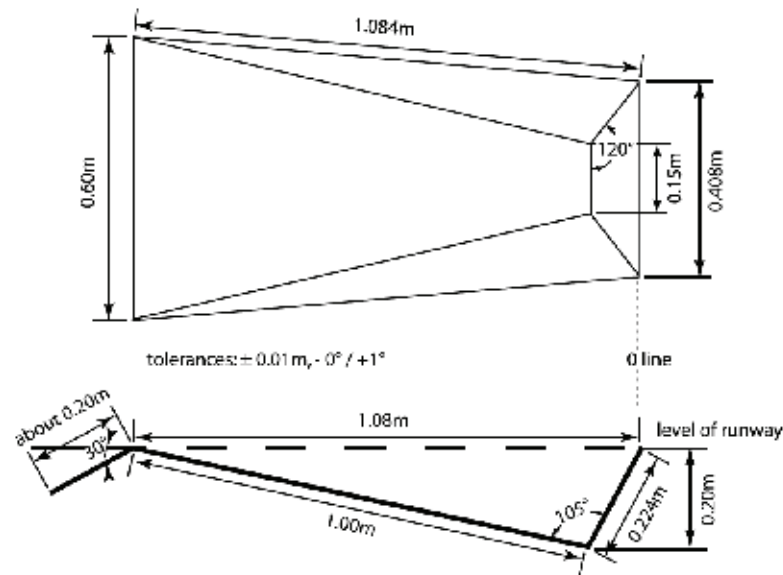
12-gauge stainless steel with a reinforced underside
 Vault box has winged support for concrete setting
 All edges finished smoothed and rounded for safety
 Electrostatically powder coated yellow or white
 Lifetime guarantee against rusting, splitting, delaminating,
 and warping

FORM

4" aluminum channel
 Used to decrease set up time and ensure proper leveling

Our Pole Vault Box is designed to meet World Athletics Competition Rule 183.8:

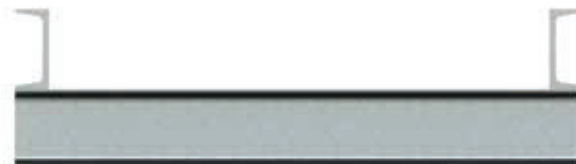
The take-off for the Pole Vault shall be from a box. It shall be constructed of suitable material, with rounded or soft upper edges and shall be sunk level with the runway. It shall be 1.00m in length, measured along the inside of the bottom of the box, 0.60m in width at the front end and tapering to 0.15m in width at the bottom of the stop board. The length of the box at runway level and the depth of the stop board are determined by the angle of 105 formed between the base and the stop board. (Tolerances on dimensions and angles: 0.01m and -0/+1 respectively.)



System includes:



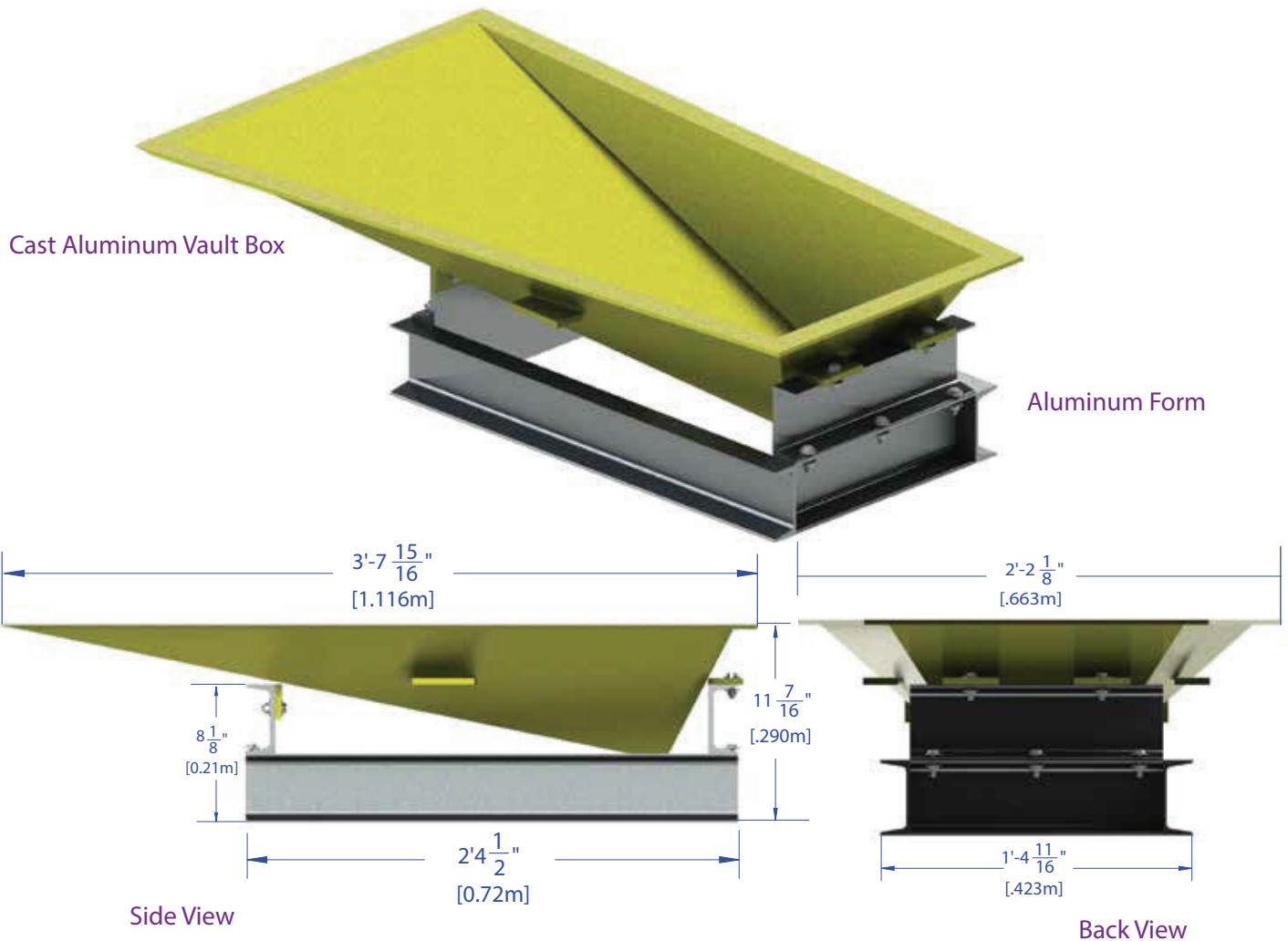
Stainless Steel Vault Box



Aluminum Form

RULE AND STANDARD COMPLIANCE

World Athletics
USATF
NCAA
NFHS



Description of Components

VAULT BOX

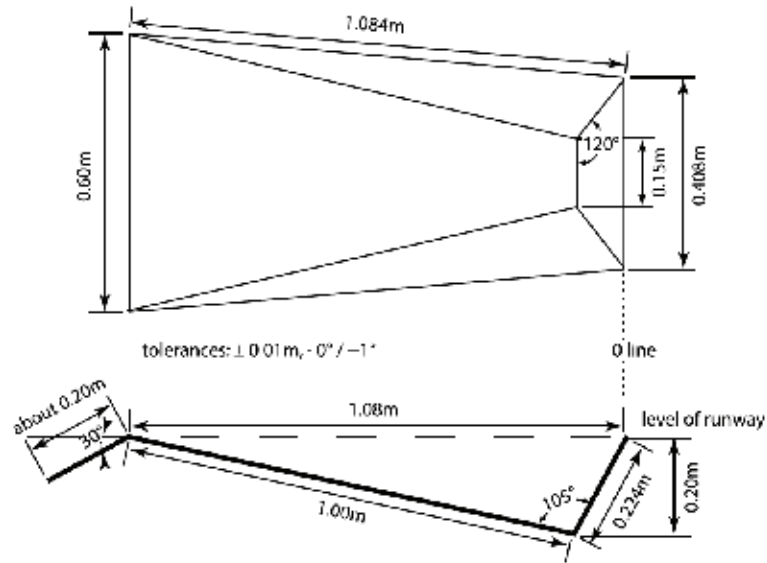
1/2" cast aluminum with reinforced underside
3/8" wings for concrete stabilization
Vault box must have winged support for concrete setting
All edges finished smoothed and rounded for safety
Electrostatically powder coated yellow or white
Lifetime guarantee on all steel components

FORM

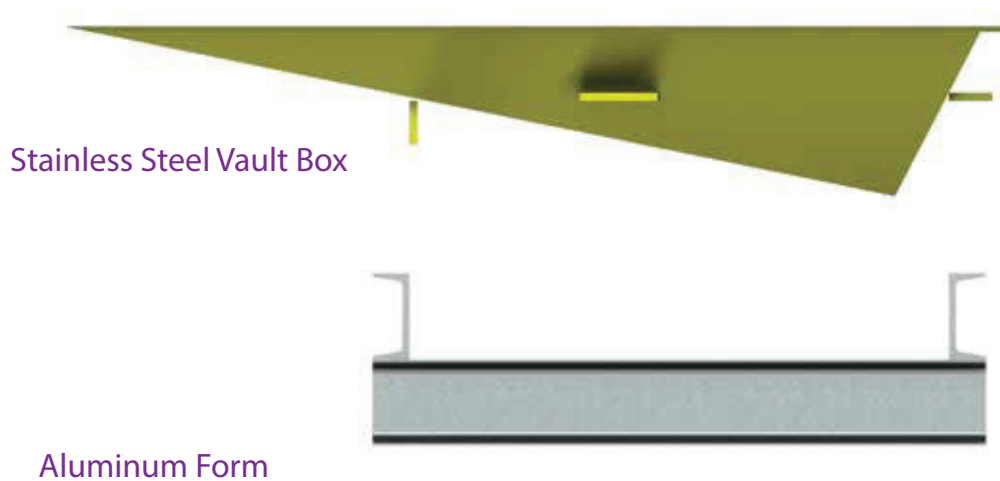
4" aluminum channel
Used to decrease set up time and ensure proper leveling

Our Pole Vault Box is designed to meet World Athletics Competition Rule 183.8:

The take-off for the Pole Vault shall be from a box. It shall be constructed of suitable material, with rounded or soft upper edges and shall be sunk level with the runway. It shall be 1.00m in length, measured along the inside of the bottom of the box, 0.60m in width at the front end and tapering to 0.15m in width at the bottom of the stop board. The length of the box at runway level and the depth of the stop board are determined by the angle of 105° formed between the base and the stop board. (Tolerances on dimensions and angles: ± 0.01m and -0°/+1° respectively.)



System includes:



Stainless Steel Vault Box

Aluminum Form

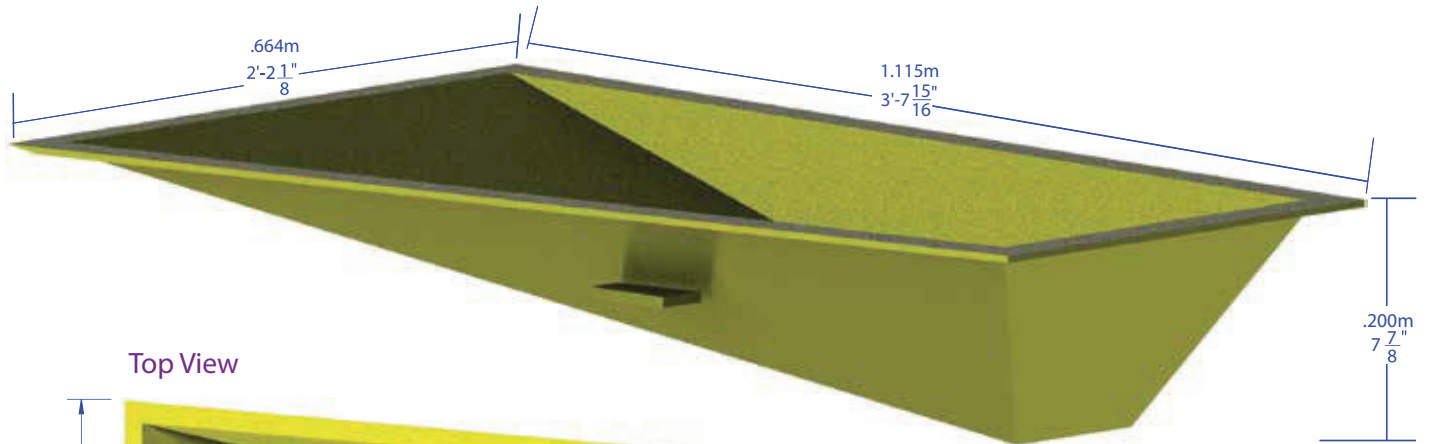
RULE AND STANDARD COMPLIANCE

World Athletics
USATF
NCAA
NFHS

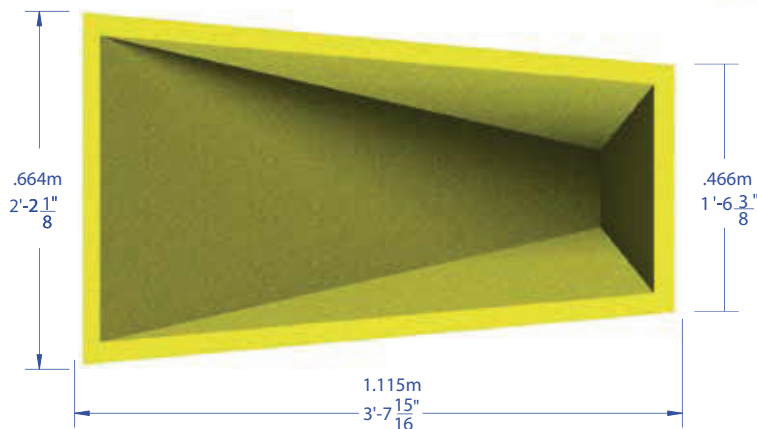


World Athletics N: E-99-0061

COLOR CHOICE- WHITE OR YELLOW (PICTURED)

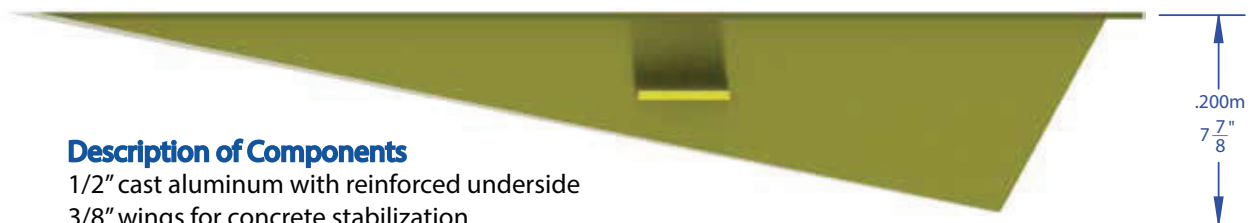


Top View



Cast Aluminum
with Optic Yellow

Side View

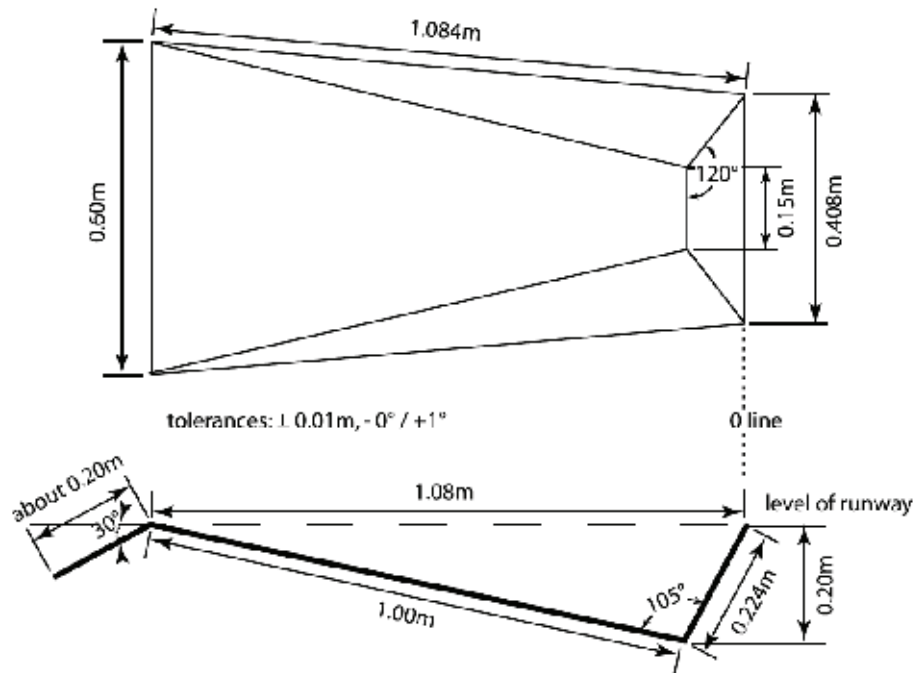


Description of Components

- 1/2" cast aluminum with reinforced underside
- 3/8" wings for concrete stabilization
- Vault box must have winged support for concrete setting
- All edges finished smoothed and rounded for safety
- Electrostatically powder coated yellow or white
- Lifetime guarantee on all steel components

Our Pole Vault Box is designed to meet World Athletics Competition Rule 183.8:

The take-off for the Pole Vault shall be from a box. It shall be constructed of suitable material, with rounded or soft upper edges and shall be sunk level with the runway. It shall be 1.00m in length, measured along the inside of the bottom of the box, 0.60m in width at the front end and tapering to 0.15m in width at the bottom of the stop board. The length of the box at runway level and the depth of the stop board are determined by the angle of 105° formed between the base and the stop board. (Tolerances on dimensions and angles: ±0.01m and -0°/+1° respectively.)

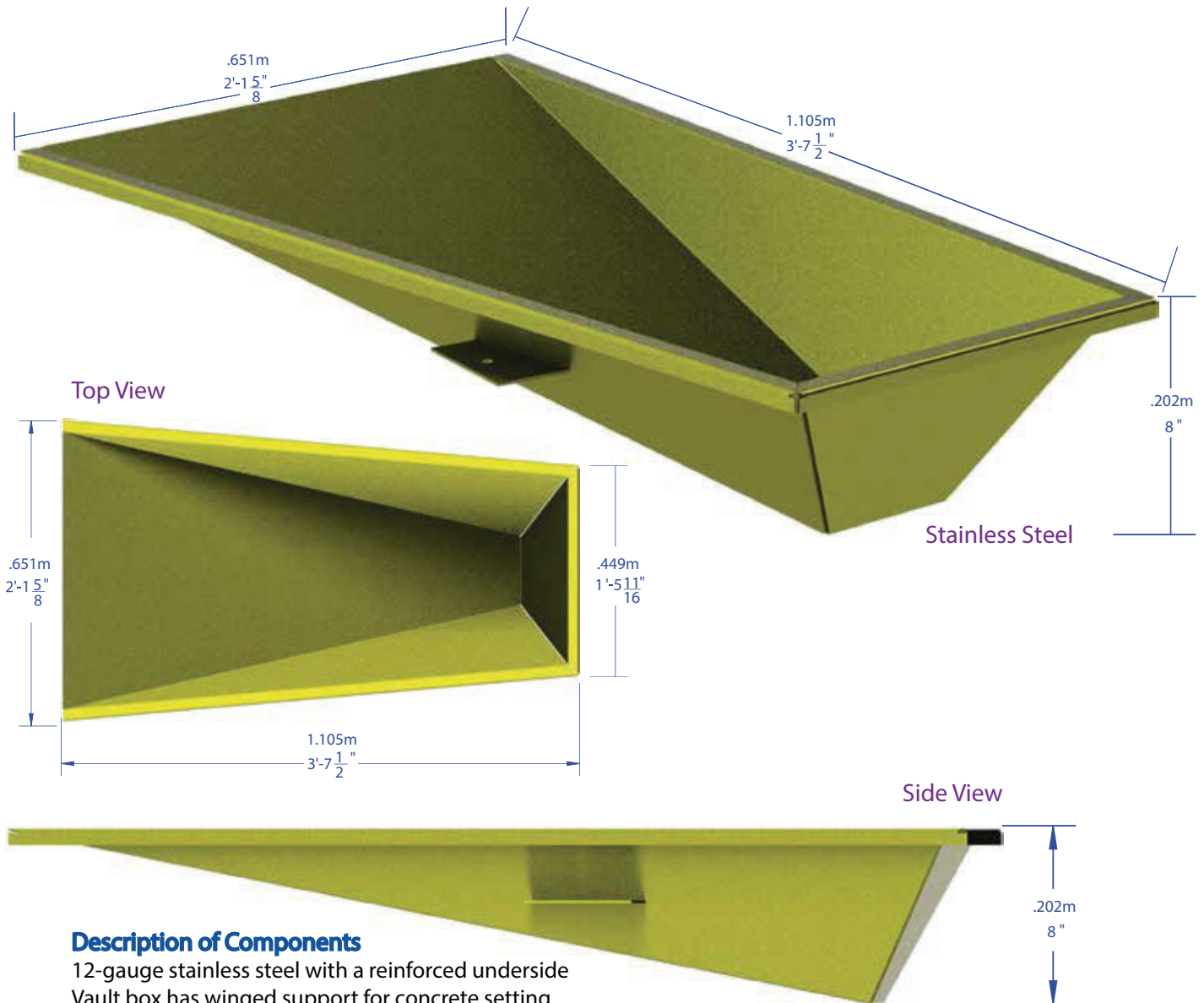


COLOR CHOICE- WHITE (PICTURED) OR YELLOW

RULE AND STANDARD COMPLIANCE

World Athletics
USATF
NCAA
NFHS

COLOR CHOICE- WHITE OR YELLOW (PICTURED)

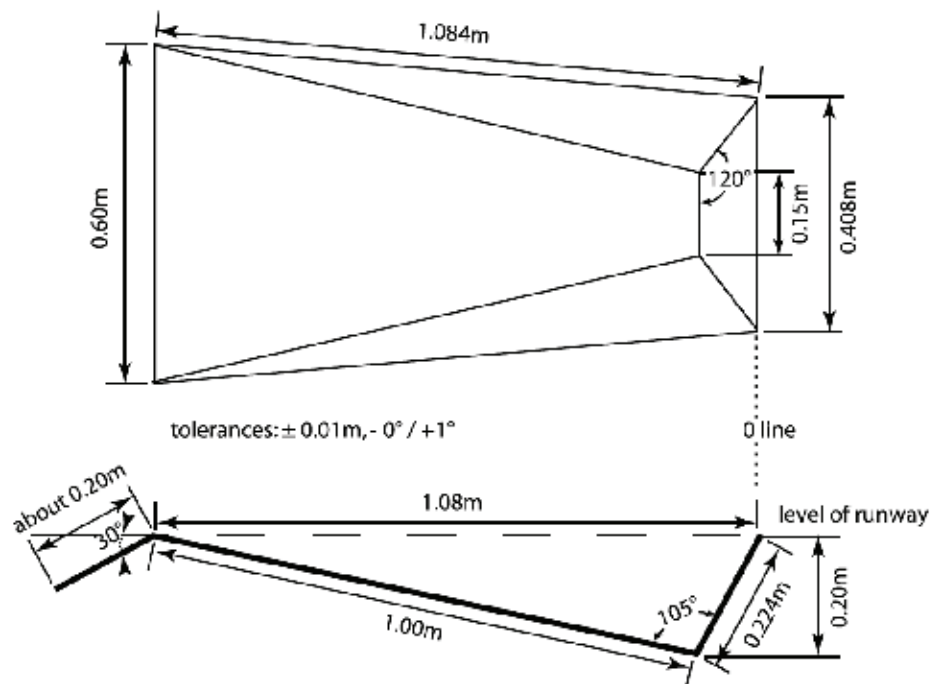


Description of Components

12-gauge stainless steel with a reinforced underside
Vault box has winged support for concrete setting
All edges finished smoothed and rounded for safety
Electrostatically powder coated yellow or white
Lifetime guarantee against rusting, splitting, delaminating, and warping

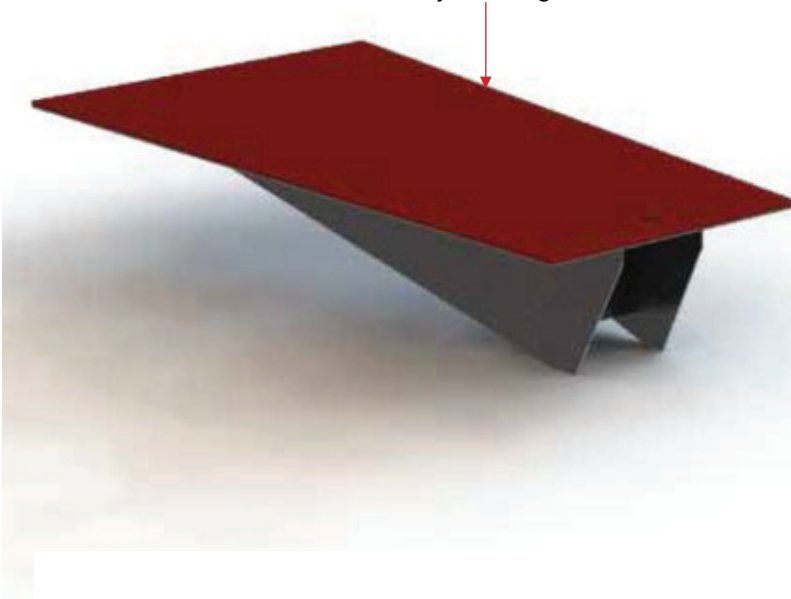
Our Pole Vault Box is designed to meet World Athletics Competition Rule 183.8:

The take-off for the Pole Vault shall be from a box. It shall be constructed of suitable material, with rounded or soft upper edges and shall be sunk level with the runway. It shall be 1.00m in length, measured along the inside of the bottom of the box, 0.60m in width at the front end and tapering to 0.15m in width at the bottom of the stop board. The length of the box at runway level and the depth of the stop board are determined by the angle of 105° formed between the base and the stop board. (Tolerances on dimensions and angles: ±0.01m and -0°/+1° respectively.)



COLOR CHOICE- WHITE OR YELLOW (PICTURED)

Synthetic surface supplied
by surfacing contractor



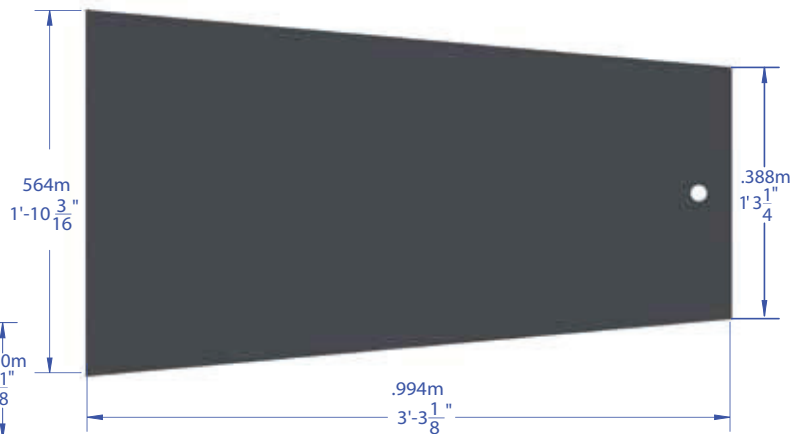
Description of Components

- 12-gauge stainless steel
- Completely corrosion resistant
- Depressed for track surfacing
- Ready to accept 1/2" synthetic surfacing
- Surface to be applied by surfacing contractor
- 2 Reinforcing ribs on the underside,
33.65" long and .11" thick
- Fits 711-1100 and 711-1200 pole vault boxes
- TIG welded reinforced construction
- Mill finish
- Lifetime guarantee on all steel components

Synthetic Surface added by Surfacing Contractor



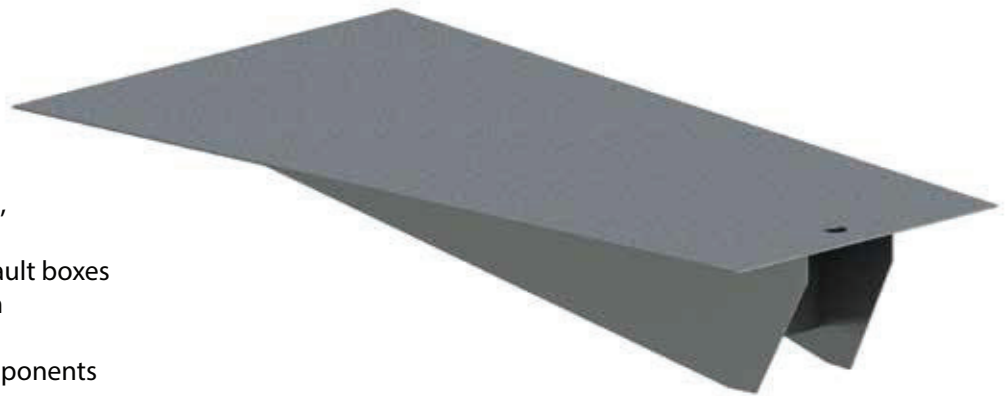
Side View



Top View

Description of Components

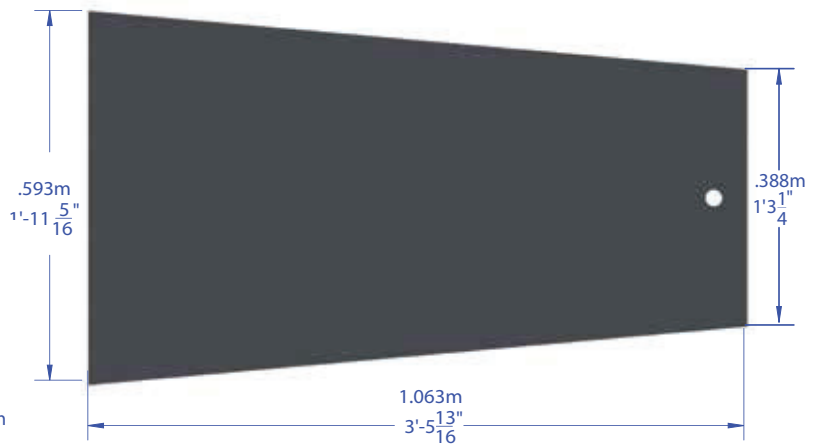
12-gauge galvanized steel
 Completely corrosion resistant
 2 Reinforcing ribs on the underside,
 33.65" long and .11" thick
 Fits 711-1100 and 711-1200 pole vault boxes
 TIG welded reinforced construction
 Mill finish
 Lifetime guarantee on all steel components



Back View



Side View



Top View