



ATHLETIC FACILITIES

BENCHES

- Team Bench
- Team Bench with Back
- Team Bench with Back and Shelf

MODEL 525-1107
7'6" LENGTH, 18" SEAT HEIGHT

MODEL 525-1115
15' LENGTH, 18" SEAT HEIGHT



DESCRIPTION OF COMPONENTS

- 9½" WIDE SEATING PLANKS
- 18" SEAT HEIGHT

BASE - Manufactured from 2"x2"x1/8" Zeneel structural square tubing, three times stronger than aluminum. All UCS Benches feature non-marring rubber pads on the bottom of bases. Seat height is 18" high.

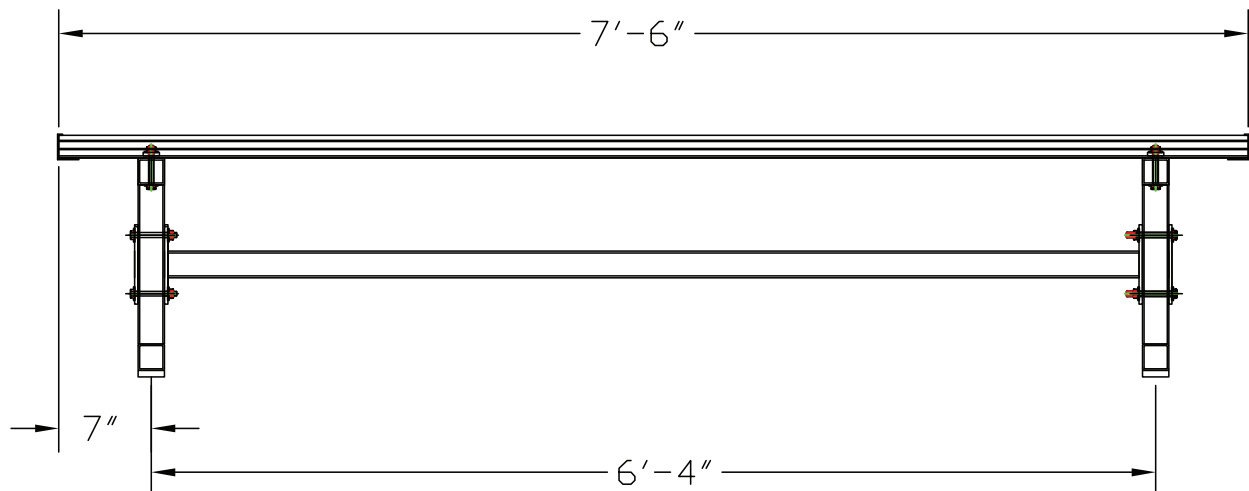
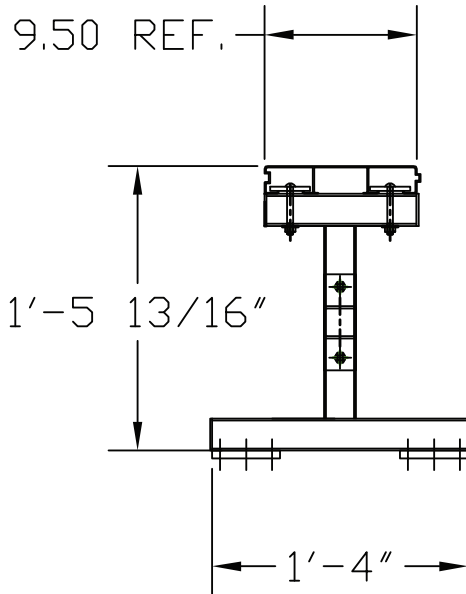
PLANKING - Extruded Aluminum Planking is capped for smooth edges and is 9 ½" wide.

WEATHER PROOF - UCS Team Benches are always fully powder coated ensuring a "like new" finish for years to come. You always have your choice of color at no additional charge.

Colors Available: Silver, Gold, Maroon, Purple, White, Yellow, Navy Blue, Medium Blue, Light Blue, Red, Green, Black, and Orange

LETTERING - Custom lettering is available on bench planking.

HARDWARE - No exposed hardware and bench planking. Stainless steel rust resistant hardware provided.





MODEL 525-1207
7'6" LENGTH, 18" SEAT HEIGHT

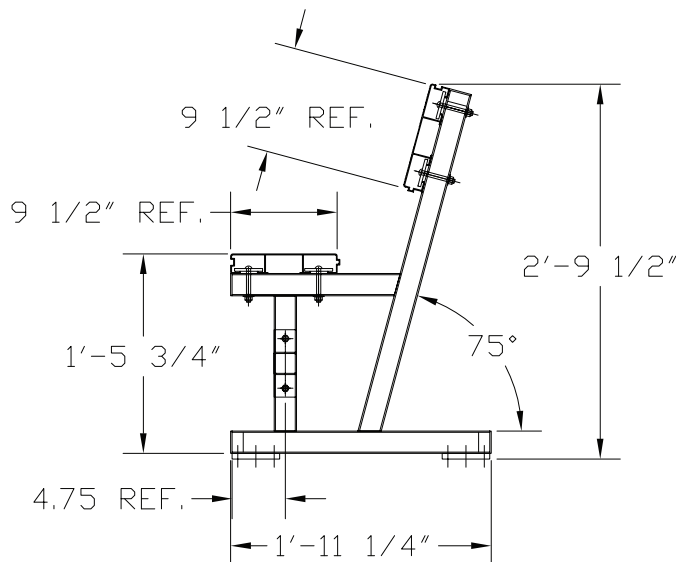
MODEL 525-1215
15' LENGTH, 18" SEAT HEIGHT

MODEL 525-1221
21' LENGTH, 18" SEAT HEIGHT

MODEL 525-1607
7'6" LENGTH, 22" SEAT HEIGHT

MODEL 525-1615
15' LENGTH, 22" SEAT HEIGHT

MODEL 525-1621
21' LENGTH, 22" SEAT HEIGHT



DESCRIPTION OF COMPONENTS

- 9½" WIDE SEATING PLANKS (STANDARD OPTION)
- 18" SEAT HEIGHT (STANDARD OPTION)
- 15" WIDE SEATING PLANKS (PRO-STYLE OPTION)
- 22" SEAT HEIGHT (PRO-STYLE OPTION)

BASE - Manufactured from 2"x2"x1/8" Zeneel structural square tubing, three times stronger than aluminum. All UCS Benches feature non-marring rubber pads on the bottom of bases. Seat height is 18" high.

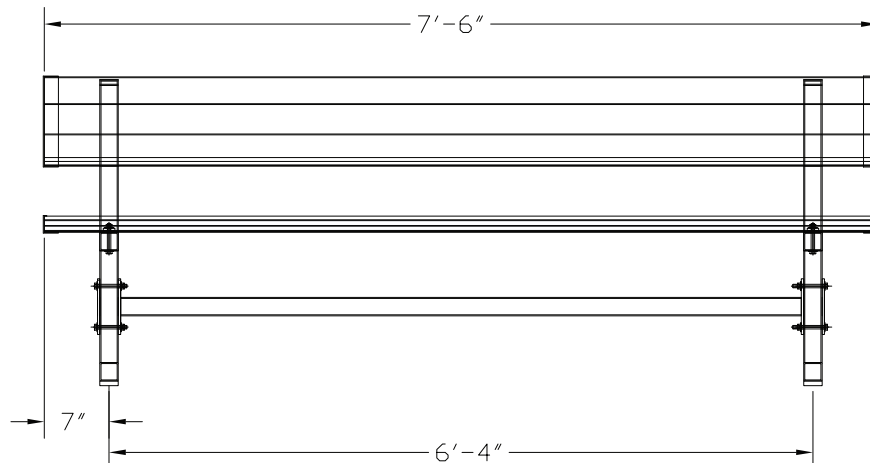
PLANKING - Extruded Aluminum Planking is capped for smooth edges and is 9 ½" wide.

WEATHER PROOF - UCS Team Benches are always fully powder coated ensuring a "like new" finish for years to come. You always have your choice of color at no additional charge.

Colors Available: Silver, Gold, Maroon, Purple, White, Yellow, Navy Blue, Medium Blue, Light Blue, Red, Green, Black, and Orange

LETTERING - Custom lettering is available on bench planking.

HARDWARE - No exposed hardware and bench planking. Stainless steel rust resistant hardware provided.





MODEL 525-1507
7'6" LENGTH, 18" SEAT HEIGHT

MODEL 525-1515
15' LENGTH, 18" SEAT HEIGHT

MODEL 525-1521
21' LENGTH, 18" SEAT HEIGHT

MODEL 525-1507
7'6" LENGTH, 22" SEAT HEIGHT

MODEL 525-1515
15' LENGTH, 22" SEAT HEIGHT

MODEL 525-1521
21' LENGTH, 22" SEAT HEIGHT

DESCRIPTION OF COMPONENTS

- 9½" WIDE SEATING PLANKS (STANDARD OPTION)
- 18" SEAT HEIGHT (STANDARD OPTION)
- 15" WIDE SEATING PLANKS (PRO-STYLE OPTION)
- 22" SEAT HEIGHT (PRO-STYLE OPTION)

BASE - Manufactured from 2"x2"x1/8" Zeneel structural square tubing, three times stronger than aluminum. All UCS Benches feature non-marring rubber pads on the bottom of bases. Seat height is 18" high.

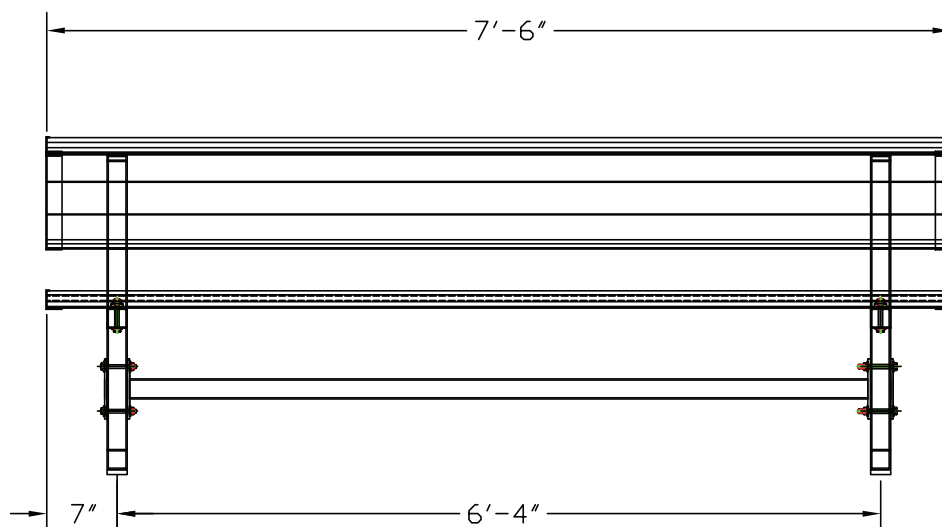
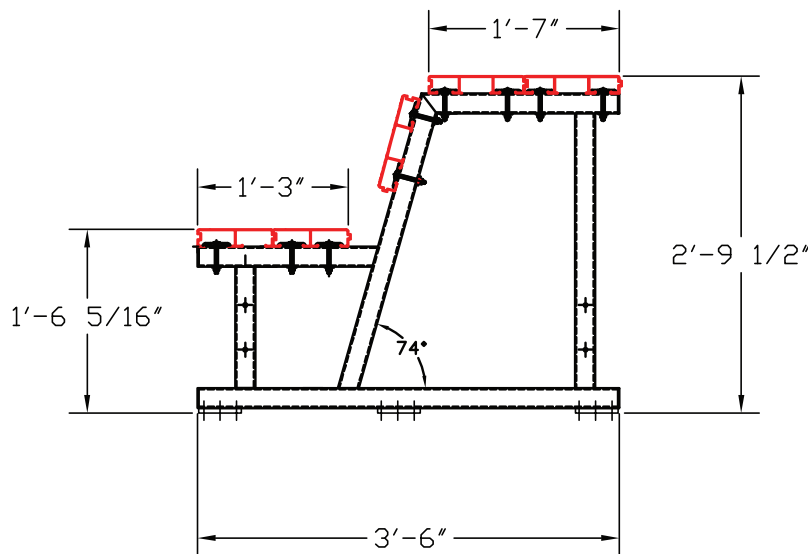
PLANKING - Extruded Aluminum Planking is capped for smooth edges and is 9 ½" wide.

WEATHER PROOF - UCS Team Benches are always fully powder coated ensuring a "like new" finish for years to come. You always have your choice of color at no additional charge.

Colors Available: Silver, Gold, Maroon, Purple, White, Yellow, Navy Blue, Medium Blue, Light Blue, Red, Green, Black, and Orange

LETTERING - Custom lettering is available on bench planking.

HARDWARE - No exposed hardware and bench planking. Stainless steel rust resistant hardware provided.





ATHLETIC FACILITIES

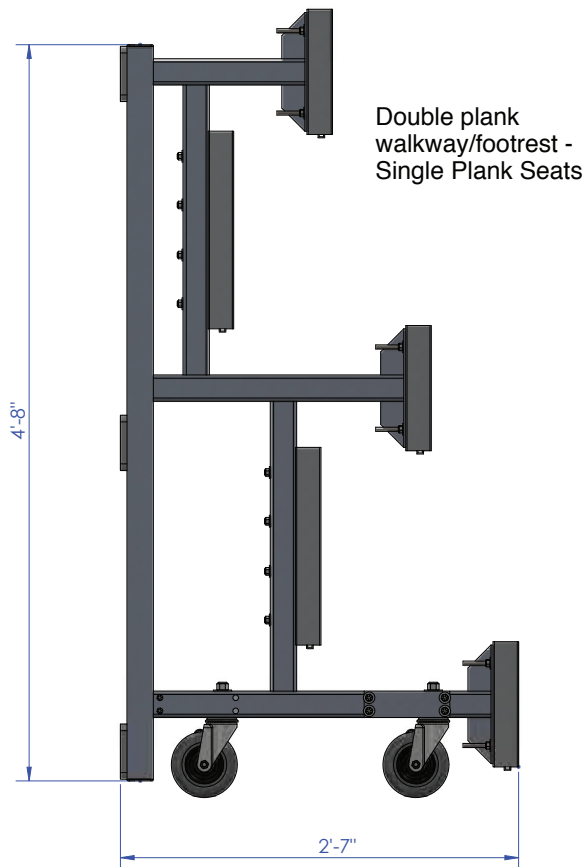
BLEACHERS

- TILT 'N ROLL BLEACHERS
- MODULAR BLEACHERS

MODEL 525-8315
15' BLEACHERS - SITS 30 PEOPLE

MODEL 525-8321
21' BLEACHERS - SITS 42 PEOPLE

MODEL 525-8327
27' BLEACHERS - SITS 54 PEOPLE



Description and Features:

- Double Plank Walkways – Single Plank Seats
- 3 rows
- Ergonomically designed
- Fits through standard doorways

Construction:

- 2" x 2" Tubular understructure with angle reinforcements
- Fully welded support frames
- 100% Aluminum materials
- 5" wheels allow for easy movement
- Non-marring rubber pads on the base

Finish:

- Fully Powder Coated in School colors (standard)
- Sand-Blasted and Powder Coated Bench Planking and Understructure

Installation:

- Follow manufacturers instructions



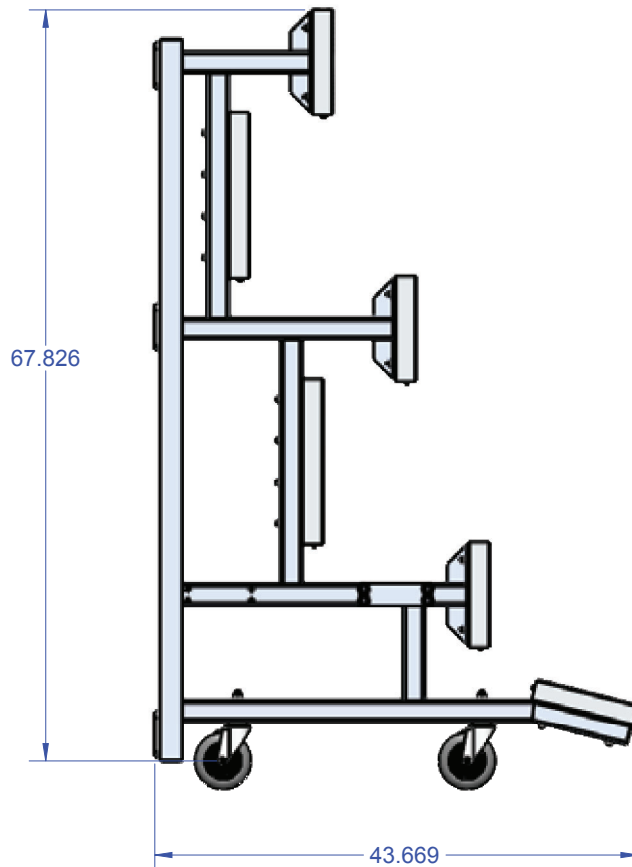
PLANK AND FRAME COLOR OPTIONS:



MODEL 525-8315B
15' BLEACHERS - SITS 30 PEOPLE

MODEL 525-8321B
21' BLEACHERS - SITS 42 PEOPLE

MODEL 525-8327B
27' BLEACHERS - SITS 54 PEOPLE



Description and Features:

- Double Plank Walkways – Single Plank Seats
- 3 rows
- Ergonomically designed
- Fits through standard doorways

Construction:

- 2" x 2" Tubular understructure with angle reinforcements
- Fully welded support frames
- 100% Aluminum materials
- 5" wheels allow for easy movement
- Non-marring rubber pads on the base

Finish:

- Fully Powder Coated in School colors (standard)
- Sand-Blasted and Powder Coated Bench Planking and Understructure
- UCS in house digital printing offers logos and graphics on any model

Installation:

- Follow manufacturers instructions



PLANK AND FRAME COLOR OPTIONS:



530-0516	16' BLEACHER- SITS 40 PEOPLE
530-0519	19' BLEACHER- SITS 50 PEOPLE
530-0528	28' BLEACHER- SITS 80 PEOPLE
530-0531	31' BLEACHER- SITS 89 PEOPLE
530-0534	34' BLEACHER -SITS 100 PEOPLE



Observation deck available with any model

SIZE- Each Bleacher is 7' 3 3/4" High and is 9' 9 3/4" Deep while the overall length depends on exact model ordered

BASE – Uprights and Bottom supports are manufactured from 2" x 2" x 1/8" Zeneel Structural Square tubing. Each understructure frame has fully welded construction that has 2" x 4" cross supports which are bolted to the frames.

PLANKING – Extruded Aluminum Planking is capped for smooth edges and is electrostatically powder coated and features a 6 1/2" rise.

FOOT PLANKING – Tongue and Groove double planking 15" wide creates a completely closed deck and is powder coated. From an "Eagle-Eye" point of view, you cannot see the underlying surface through the bleacher! Extruded Aluminum Planking features a double leg supported aluminum extrusion and planking is capped for smooth edges.

STAIRCASE- 48" wide staircase is included which features Aluminum Handrail and Anti-Slip Hazard strip to ensure safety.

GUARDRAILS- 42" Tall Guardrails run the entire length of the back and on the sides of the bleacher from the back to the middle of the first row of seats. Guardrail is aluminum 2"x 2" Zeneel tubing frame with 1" x 1" aluminum uprights spaced every 4".

WEATHER PROOF – UCS Modular Bleacher are always fully powder coated ensuring a "like new" finish for years to come. You always have your choice of color at no additional charge.

HARDWARE – Stainless steel rust resistant hardware provided.



Observation deck available with any model



530-05xxP
Observation deck available with any model

PLANK AND FRAME COLOR OPTIONS:

