

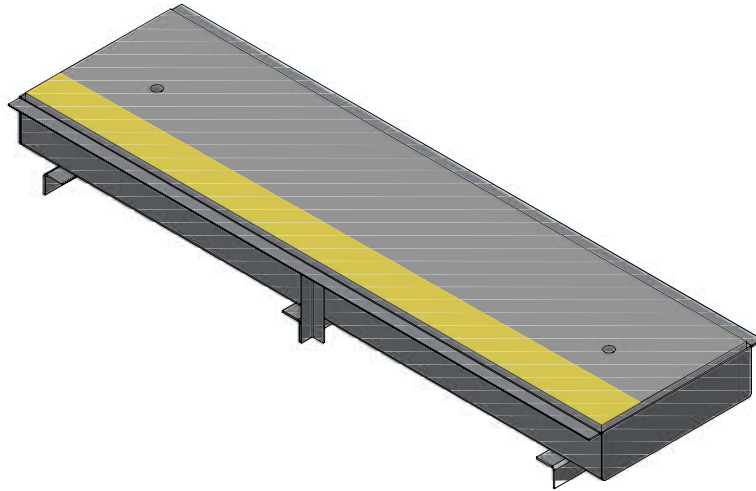


ATHLETIC FACILITIES

---

## TAKE-OFF SYSTEMS

- Grand Prix (NCAA, World Athletics)
- High School



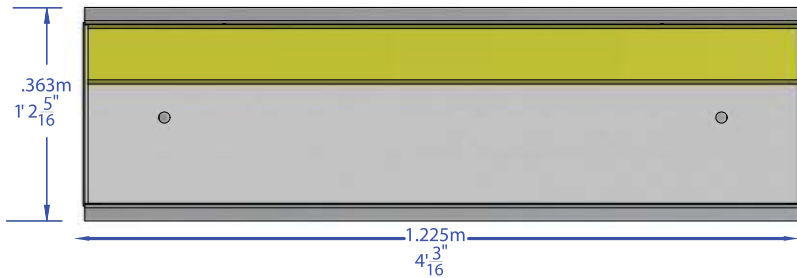
**RULE AND STANDARD COMPLIANCE**

NCAA  
NFHS

**DESCRIPTION OF COMPONENTS**

**FOUNDATION TRAY**

1/8" Steel  
1/8" Steel angles for reinforcement  
Galvanized finish  
Manufactured with a beveled edge for World Athletics competition, and manufactured without bevel for NCAA competition  
Corrosion resistant

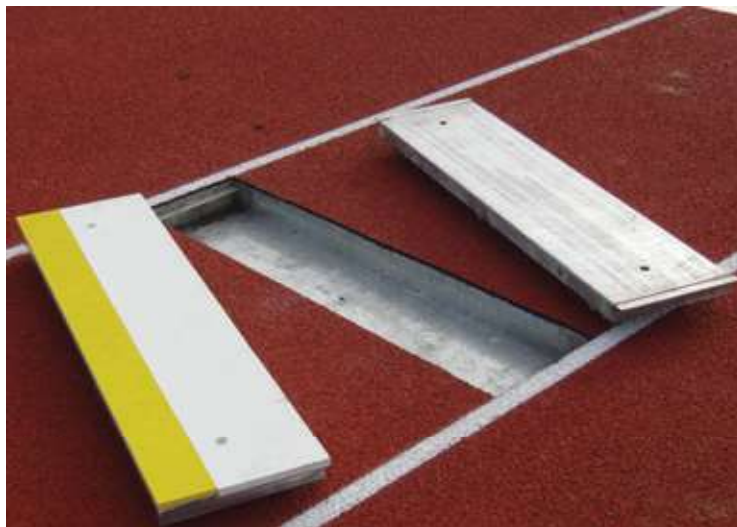


**TAKE-OFF BOARD**

Break formed 1/8" steel understructure with a synthetic 3/4" top  
Synthetic take-off board will not warp or crack  
Includes no-jump section to replac plasticine for practice and one extra board  
Corrosion resistant

**BLANKING LID**

1/8" Steel with galvanized steel adjusters  
3/8" Steel bar reinforcement  
Galvanized finish  
Designed with recess for synthetic surfacing  
Blanking lids and board understructures have adjusters for leveling and snug fit  
Corrosion resistant



The Take-off System for the 2000 Olympic Games



**TAKE-OFF BOARD**

1/4" GALVANIZED STEEL UNDERSTRUCTURE  
3/4" SYNTHETIC TOP  
STAINLESS STEEL ADJUSTERS



**SYNTHETIC SURFACING**

TYP. 1/2" SYNTHETIC SURFACING  
SUPPLIED BY CONTRACTOR



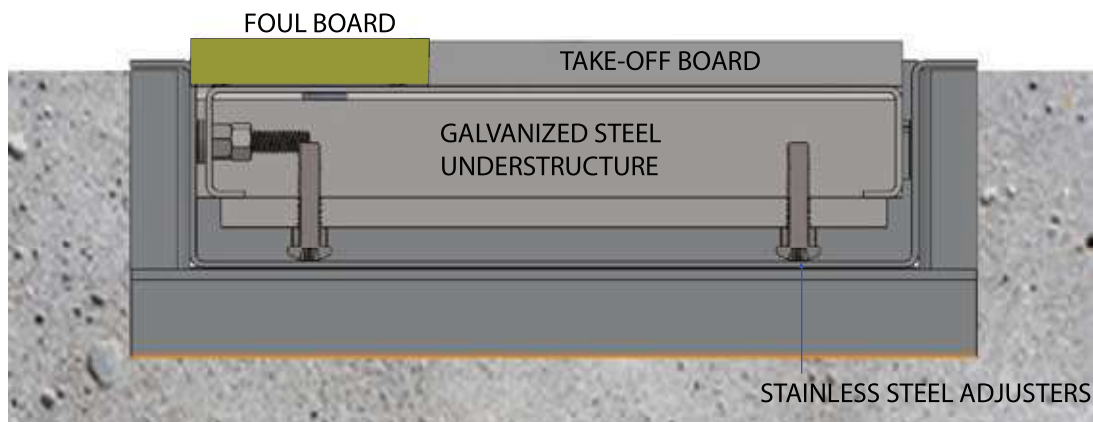
**BLANKING LID**

1/4" RUST-RESISTANT GALVANIZED STEEL  
REINFORCED BY 3/8" GALVANIZED STEEL BARS  
STAINLESS STEEL ADJUSTERS  
READY TO ACCEPT 12MM OF ARTIFICIAL SURFACING



**FOUNDATION TRAY**

1/4" GALVANIZED STEEL  
REINFORCED BY 1/4" GALVANIZED STEEL ANGLES



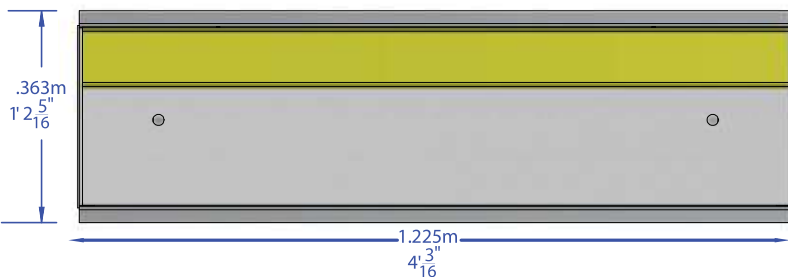
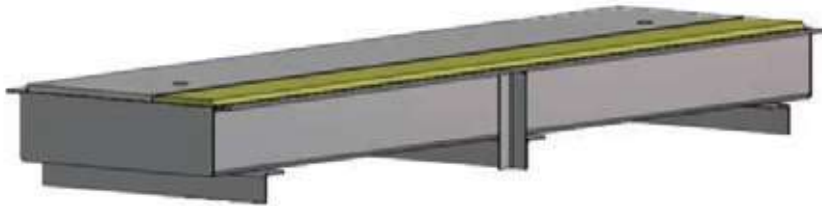
CONCRETE FOOTING

**RULE AND STANDARD COMPLIANCE**

World Athletics  
NFHS



World Athletics N: E-99-0067



**DESCRIPTION OF COMPONENTS**

**FOUNDATION TRAY**

1/8" Steel  
1/8" Steel angles for reinforcement  
Galvanized finish  
Manufactured with a beveled edge for IAAF competition, and manufactured without a bevel for NCAA competition  
Corrosion resistant

**TAKE-OFF BOARD**

Break formed 1/8" steel understructure with a synthetic 3/4" top  
Synthetic take-off board will not warp or crack  
Includes no-jump section to replace plasticine for practice and one extra board  
Corrosion resistant

**BLANKING LID**

1/8" Steel with galvanized steel adjusters  
3/8" Steel bar reinforcement  
Galvanized finish  
Designed with recess for synthetic surfacing  
Blanking lids and board understructures have adjusters for leveling and snug fit  
Corrosion resistant

**PLASTICINE**

Included with beveled IAAF Take-Off System

The Take-off System for the 2000 Olympic Games

**FOUL BOARD**  
3/4" SYNTHETIC TOP



**PLASTICINE INSERT**  
1/8" ALUMINUM AND OAK BOARD



**SYNTHETIC SURFACING**  
TYP. 1/2" SYNTHETIC SURFACING  
SUPPLIED BY CONTRACTOR



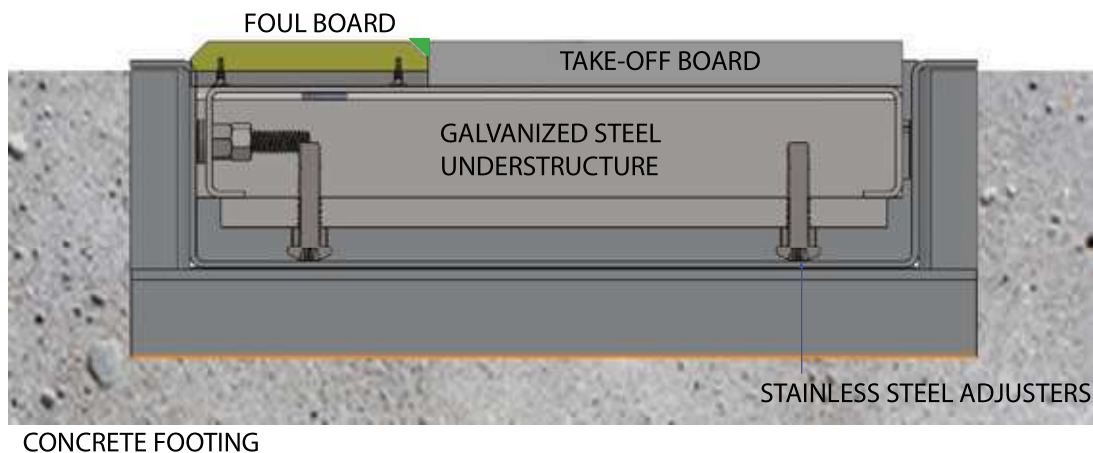
**TAKE-OFF BOARD**  
1/4" GALVANIZED STEEL UNDERSTRUCTURE  
3/4" SYNTHETIC TOP  
STAINLESS STEEL ADJUSTERS



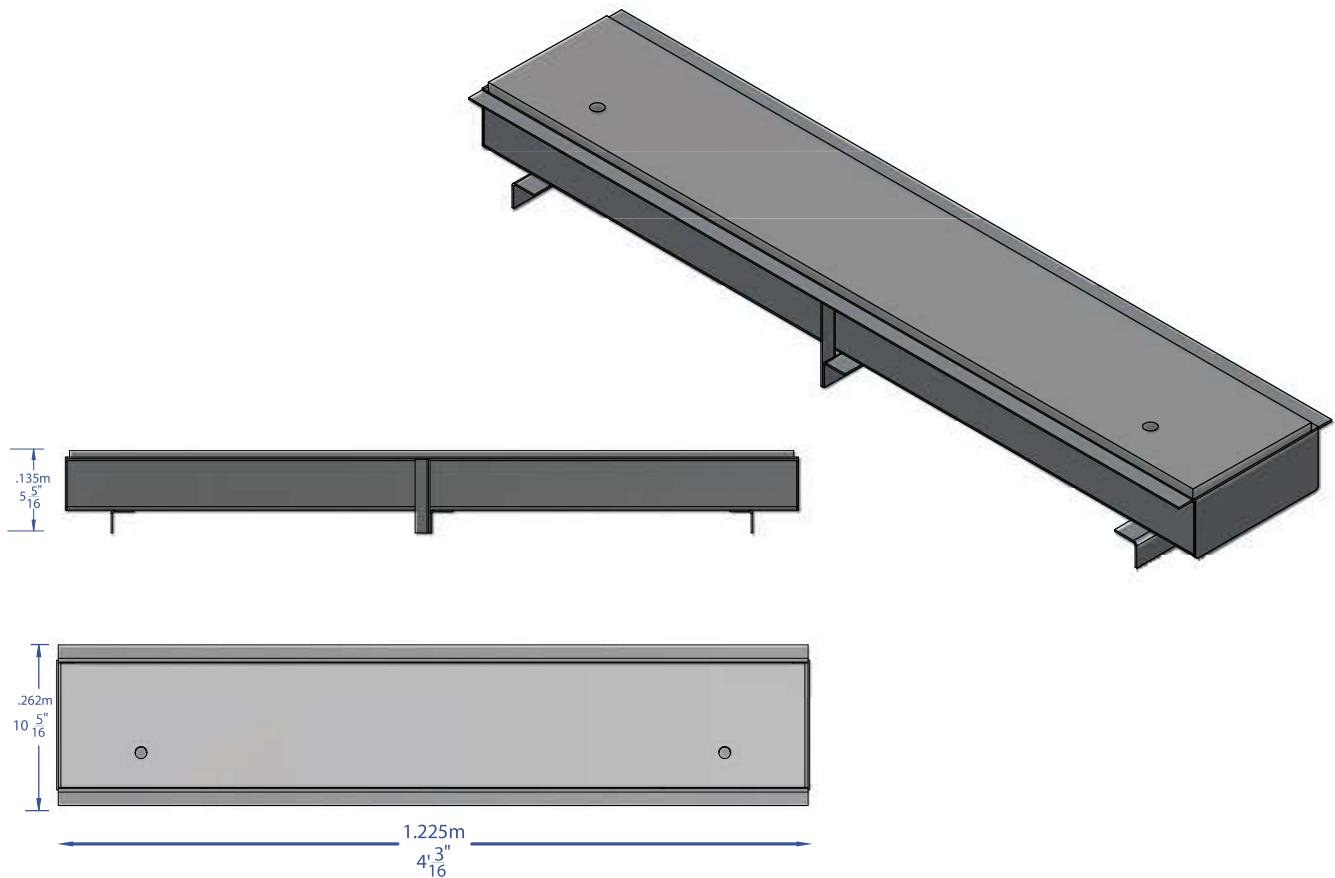
**BLANKING LID**  
1/4" RUST-RESISTANT GALVANIZED STEEL  
REINFORCED BY 3/8" GALVANIZED STEEL BARS  
STAINLESS STEEL ADJUSTERS  
READY TO ACCEPT 12MM OF ARTIFICIAL SURFACING



**FOUNDATION TRAY**  
1/4" GALVANIZED STEEL  
REINFORCED BY 1/4" GALVANIZED STEEL ANGLES



**RULE AND STANDARD COMPLIANCE**  
NFHS



**DESCRIPTION OF COMPONENTS**

**FOUNDATION TRAY**

- 1/8" Steel
- 1/8" Steel angles for reinforcement
- Galvanized finish
- Corrosion resistant

**TAKE-OFF BOARD**

- Break formed 1/8" steel understructure with a synthetic 3/4" top
- Synthetic take-off board will not warp or crack
- Corrosion resistant





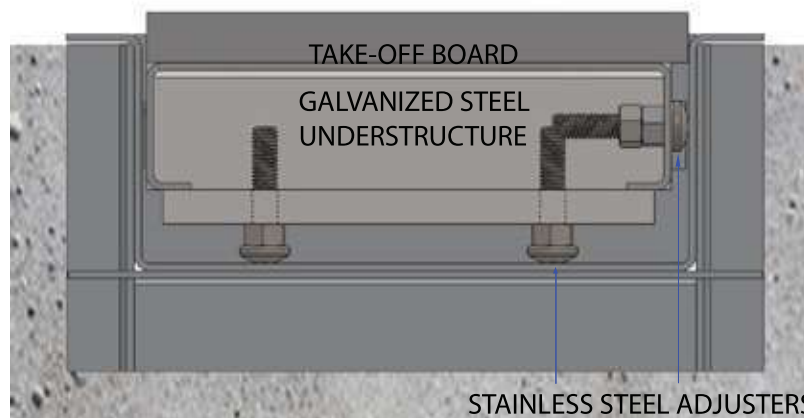
**TAKE-OFF BOARD**

1/4" GALVANIZED STEEL UNDERSTRUCTURE  
3/4" SYNTHETIC TOP  
STAINLESS STEEL ADJUSTERS



**FOUNDATION TRAY**

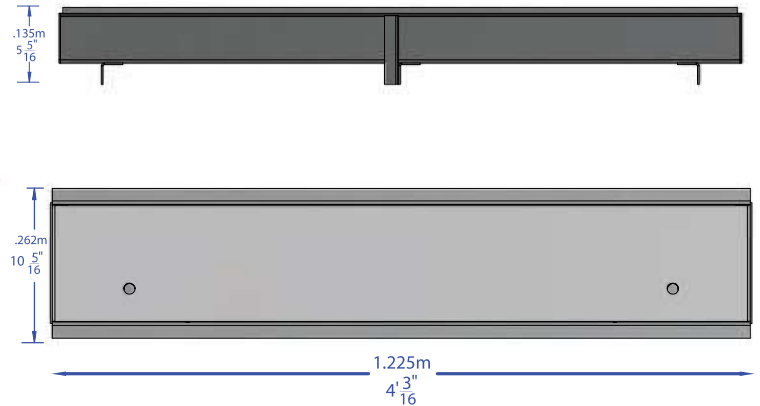
1/4" GALVANIZED STEEL  
REINFORCED BY 1/4" GALVANIZED STEEL ANGLES



CONCRETE FOOTING

**RULE AND STANDARD COMPLIANCE**

NFHS



**DESCRIPTION OF COMPONENTS**

**FOUNDATION TRAY**

- 1/8" Steel
- 1/8" Steel angles for reinforcement
- Galvanized finish
- Corrosion resistant



**TAKE-OFF BOARD**

- Break formed 1/8" steel understructure with a synthetic 3/4" top
- Synthetic take-off board will not warp or crack
- Corrosion resistant

**BLANKING LID**

- 1/8" Steel with galvanized steel adjusters
- 3/8" Steel bar reinforcement
- Galvanized finish
- Designed with recess for synthetic surfacing
- Blanking lids and board understructures have adjusters for leveling and snug fit
- Corrosion resistant





**TAKE-OFF BOARD**

1/4" GALVANIZED STEEL UNDERSTRUCTURE  
3/4" SYNTHETIC TOP  
STAINLESS STEEL ADJUSTERS

**SYNTHETIC SURFACING**

TYP. 1/2" SYNTHETIC SURFACING  
SUPPLIED BY CONTRACTOR



**BLANKING LID**

1/4" RUST-RESISTANT GALVANIZED STEEL  
REINFORCED BY 3/8" GALVANIZED STEEL BARS  
STAINLESS STEEL ADJUSTERS  
READY TO ACCEPT 12MM OF ARTIFICIAL SURFACING



**FOUNDATION TRAY**

1/4" GALVANIZED STEEL  
REINFORCED BY 1/4" GALVANIZED STEEL ANGLES

