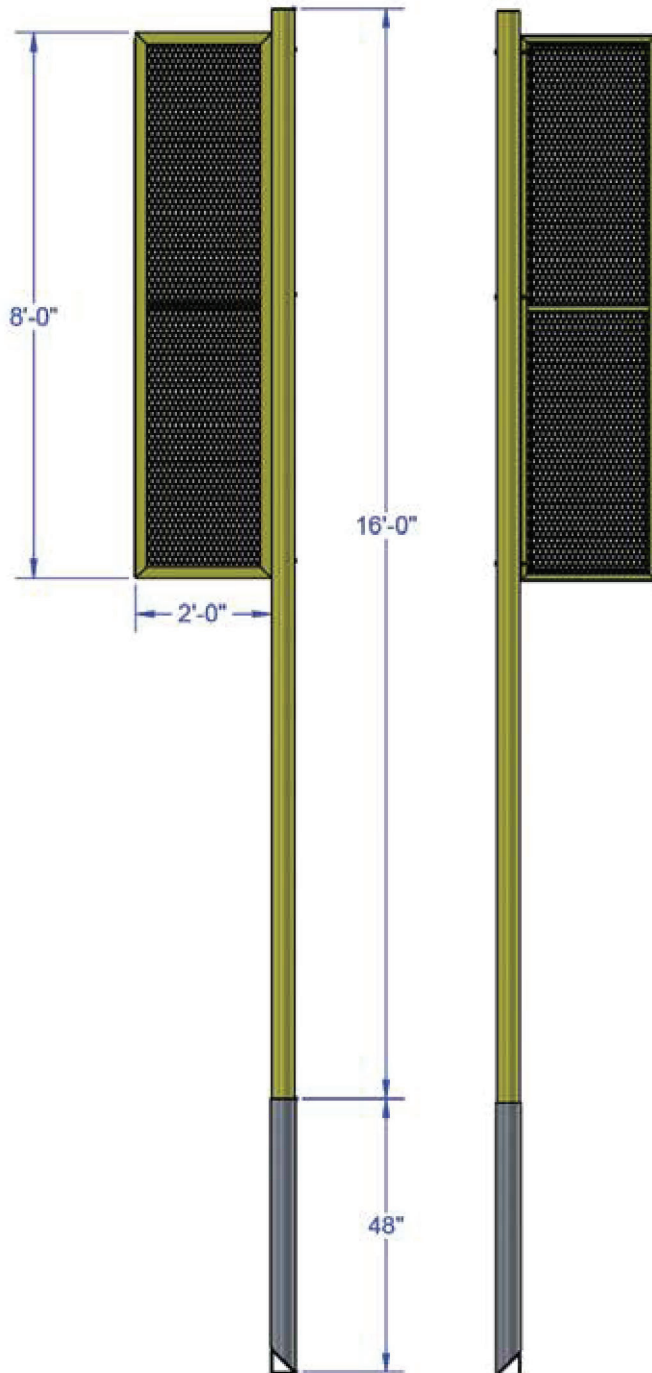




ATHLETIC FACILITIES

BASEBALL FOUL POLE

- 591-1608
- 591-2012
- 591-3020
- 591-4032



UCS Baseball Foul Pole 591-1608 (Pair)

591-1608 Baseball Foul Pole 16' above ground with 8' wing

Description and Features:

- 4"OD x 1/4" Wall aluminum posts stand 16' tall above ground
- Fair Play Grating is 2' x 8' for high visibility
- Sandblasted and electrostatically powder coated to offer high impact protection. Optic yellow color provides enhanced visibility.
- Foul poles are secured in ground sleeves with locking wedge to create and maintain perfect alignment and prevent twisting.
- Ground sleeves also allow easy assembly or takedown for off-season storage if need be.

Rule and Standard Compliance:

Baseball rules allow various size grating and pole height.

Construction:

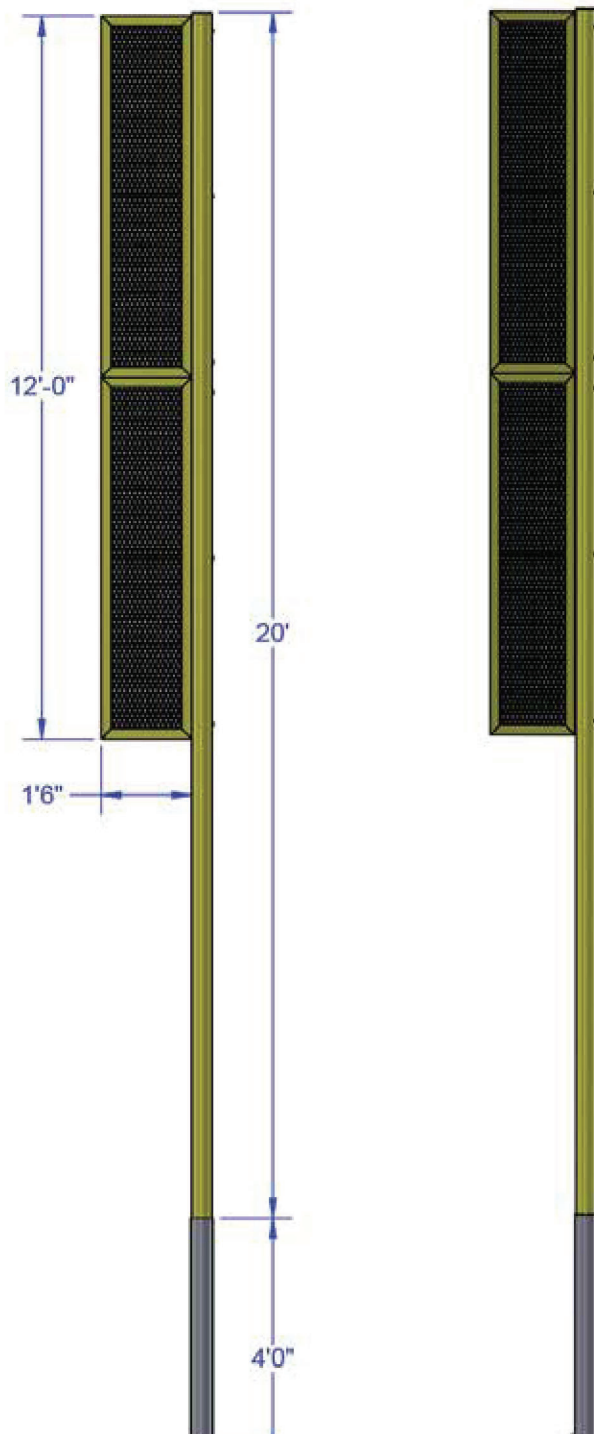
- **Posts:** Posts are fabricated from custom extruded 4" diameter x 1/4" thick aluminum posts reinforced for added strength, which measure 16' above ground level. The posts are installed vertically and slide in-to and out-of the ground sleeves.
- **Grating:** 1 1/2" x 3/16" custom aluminum grating provides high visibility for umpires. encapsulated by welded frame enclosure provides added strength and security.
- **Ground Sleeves:** 48" powder coated aluminum ground sleeves are finished with a 45-degree wedge at base, uprights cut to match 45-degree base locking wedge, which lock posts into correct position.

Finish:

- High impact and corrosion resistant powder coating

Installation:

- Follow manufacturers instructions
- Check local codes



UCS Baseball Foul Pole 591-2012 (Pair)

590-2012 Baseball Foul Pole 20' above ground with 12' wing

Description and Features:

- 4"OD x 1/4" Wall aluminum posts stand 20' tall above ground
- Fair Play Grating ~ 2' x 12' for high visibility
- Sandblasted and electrostatically powder coated to offer high impact protection. Optic yellow color provides enhanced visibility.
- Foul Poles are secured in ground sleeves with locking wedge to create and maintain perfect alignment and prevent twisting.
- Ground sleeves also allow easy assembly or takedown for off-season storage if need be

Rule and Standard Compliance:

Baseball rules allow various size grating and pole height.

Construction:

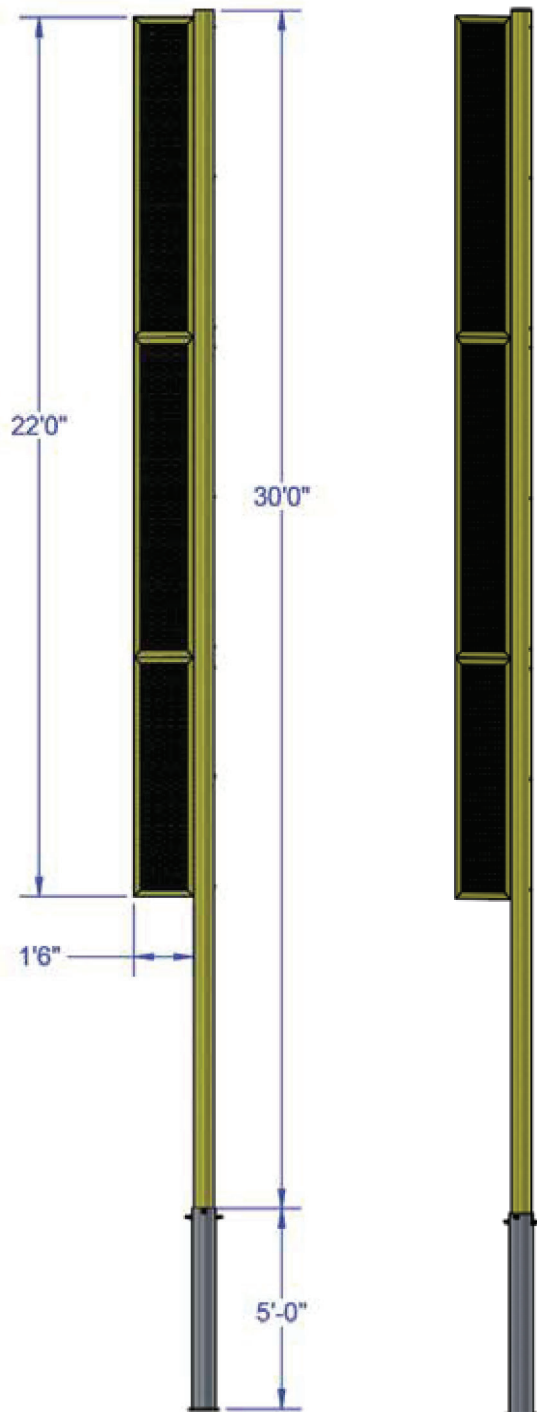
- **Posts:** Posts are fabricated from custom extruded 4" diameter x 1/4" thick aluminum posts reinforced for added strength, which measure 20' above the ground level. The posts are installed vertically and slide in-to and out-of the ground sleeves.
- **Grating:** 1 1/2" x 3/16" custom aluminum grating provides high visibility for umpires. encapsulated by welded frame enclosure provides added strength and security.
- **Ground Sleeves:** 48" powder coated aluminum ground sleeves are finished with a 45-degree wedge at base, uprights cut to match 45-degree base locking wedge, which lock posts into correct position.

Finish:

- High impact and corrosion resistant powder coating

Installation:

- Follow manufacturers instructions
- Check local codes



UCS Baseball Foul Pole 591-3020 (Pair)

591-3020-22 Baseball Foul Pole 30' above ground with 22' wing

Description and Features:

- 6"OD x 1/4" Wall aluminum posts stand 30' tall above ground
- Fair Play Grating is 2' x 22' for high visibility
- Sandblasted and electrostatically powder coated to offer high impact protection. Optic yellow color provides enhanced visibility.
- Foul poles are secured in ground sleeves with locking wedge to create and maintain perfect alignment and prevent twisting.
- Ground sleeves also allow easy assembly or takedown for off-season storage if need be.

Rule and Standard Compliance:

Baseball rules allow various size grating and pole height.

Construction:

Posts: Posts are fabricated from custom extruded 6" diameter x 1/4" thick aluminum posts reinforced for added strength, which measure 30' above ground level. The posts are installed vertically and slide in-to and out-of the ground sleeves.

Grating: 1 1/2" x 3/16" custom aluminum grating provides high visibility for umpires. Encapsulated by welded frame enclosure provides added strength and security.

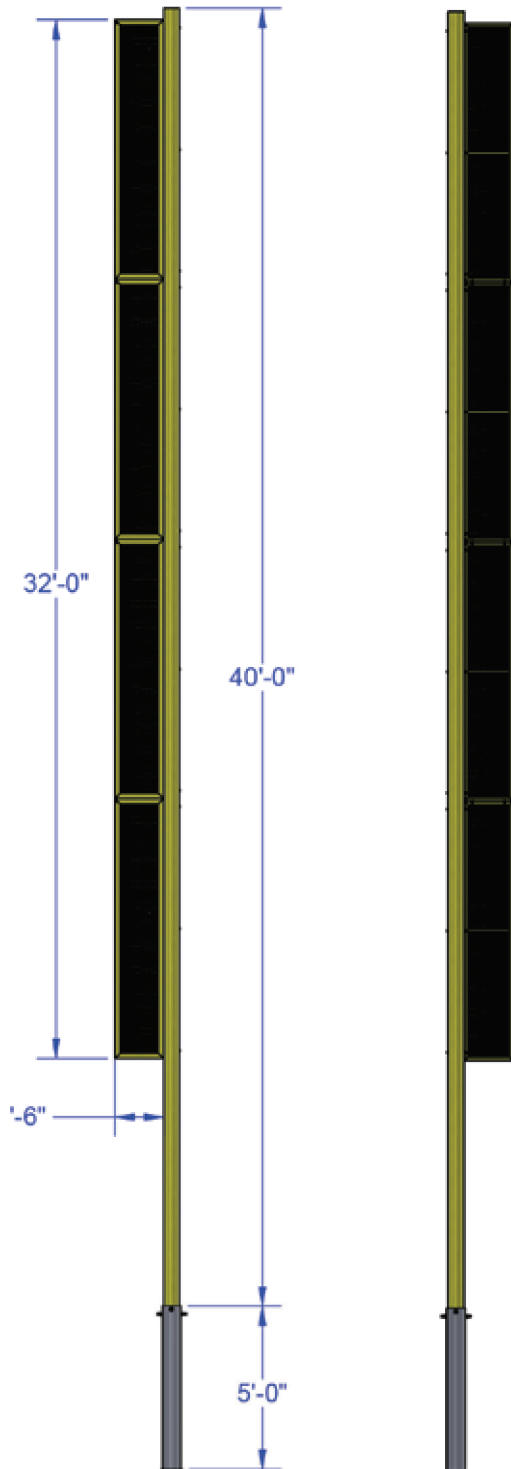
Ground Sleeves: 48" powder coated aluminum ground sleeves are finished with a 45- degree wedge at base, uprights cut to match 45-degree base locking wedge, which lock posts into correct position.

Finish:

- High impact and corrosion resistant powder coating

Installation:

- Follow manufacturers instructions
- Check local codes



591-4032 Baseball Foul Pole 40' above ground with 32' wing

Description and Features:

- 6"OD x 1/4" Wall aluminum posts stand 40' tall above ground
- Fair Play Grating is 2' x 32' for high visibility
- Sandblasted and electrostatically powder coated to offer high impact protection. Optic yellow color provides enhanced visibility.
- Foul poles are secured in ground sleeves with locking wedge to create and maintain perfect alignment and prevent twisting.
- Ground sleeves also allow easy assembly or takedown for off-season storage if need be.

Rule and Standard Compliance:

- Baseball rules allow various size grating and pole height.

Construction:

- **Posts:** Posts are fabricated from custom extruded 6" diameter x 1/4" thick aluminum posts reinforced for added strength, which measure 40' above ground level. The posts are installed vertically and slide in-to and out-of the ground sleeves.
- **Grating:** 1 1/2" x 3/16" custom aluminum grating provides high visibility for umpires. encapsulated by welded frame enclosure provides added strength and security.
- **Ground Sleeves:** 60" powder coated aluminum ground sleeves are finished with a 45-degree wedge at base, uprights cut to match 45-degree base locking wedge, which lock posts into correct position.

Finish:

- High impact and corrosion resistant powder coating

Installation:

- Follow manufacturers instructions
- Check local codes