



ATHLETIC FACILITIES

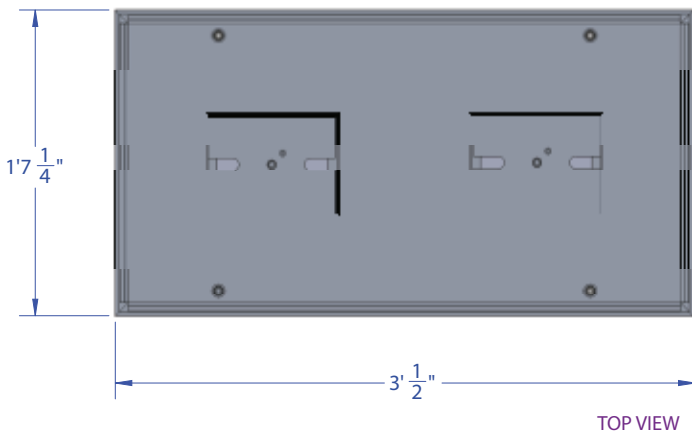
---

## COMMUNICATION BOXES

- Synthetic Surfacing
- Artificial Turf

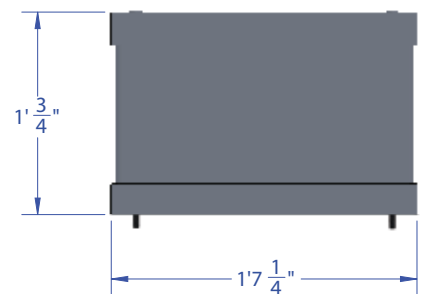
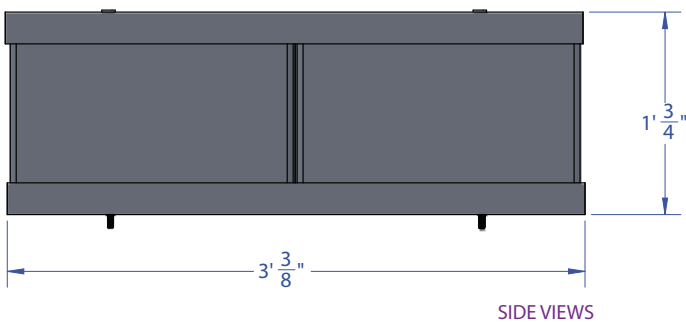


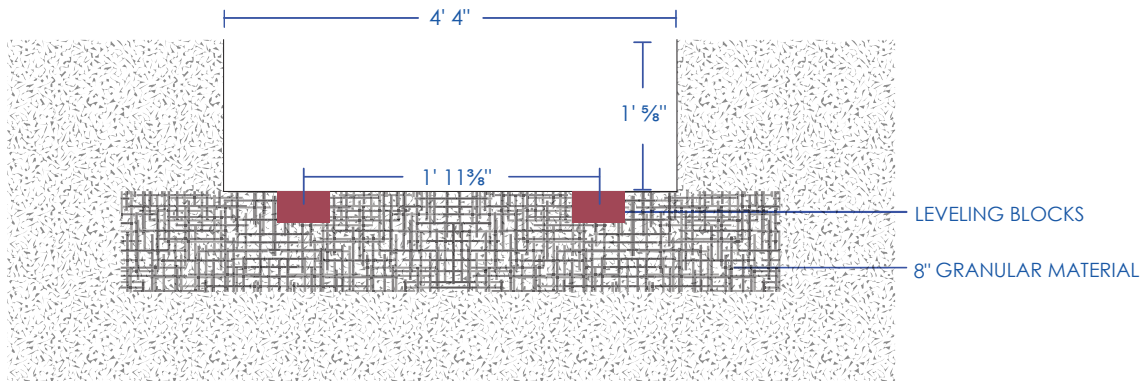
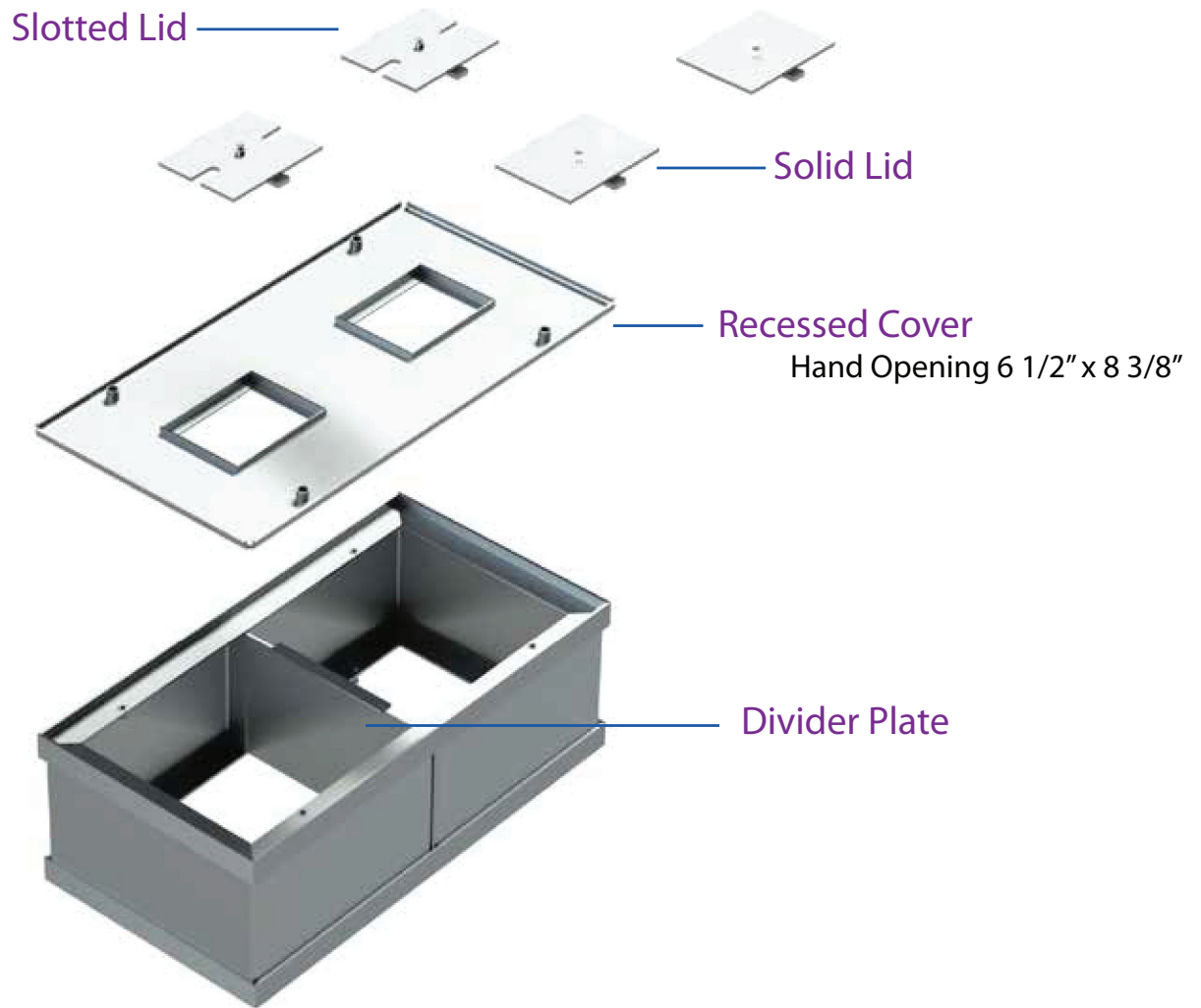
Synthetic Surfacing installed  
by surfacing contractor



**DESCRIPTION OF COMPONENTS**

- 1/4" Aluminum
- TIG welded
- Gusseted reinforced construction
- Sealed gaskets for weather resistance
- Leveling adjusters and ground stud
- Box available with or without divider
- 24" or 36" depth available (standard depth is 12")
- Lockable solid lid for connection openings



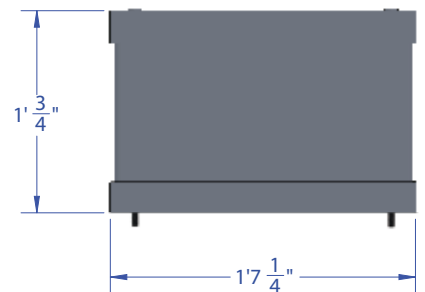
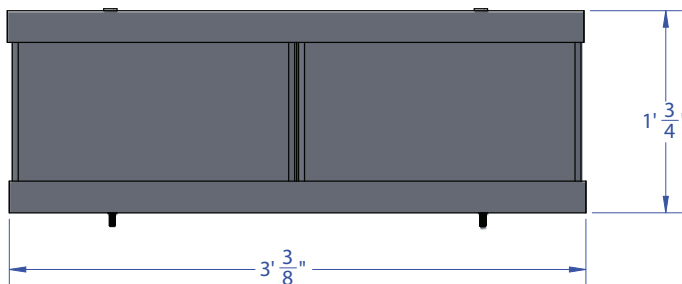
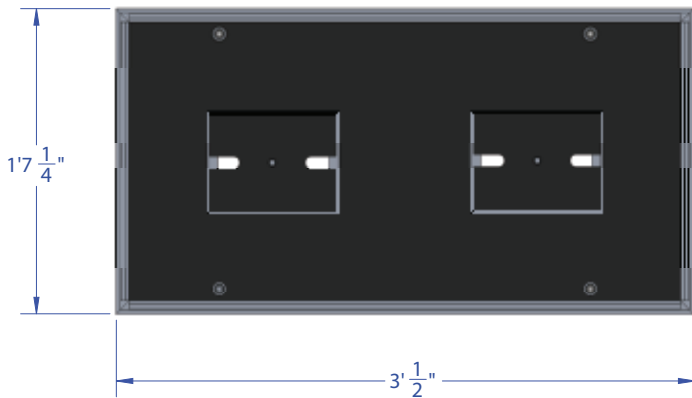


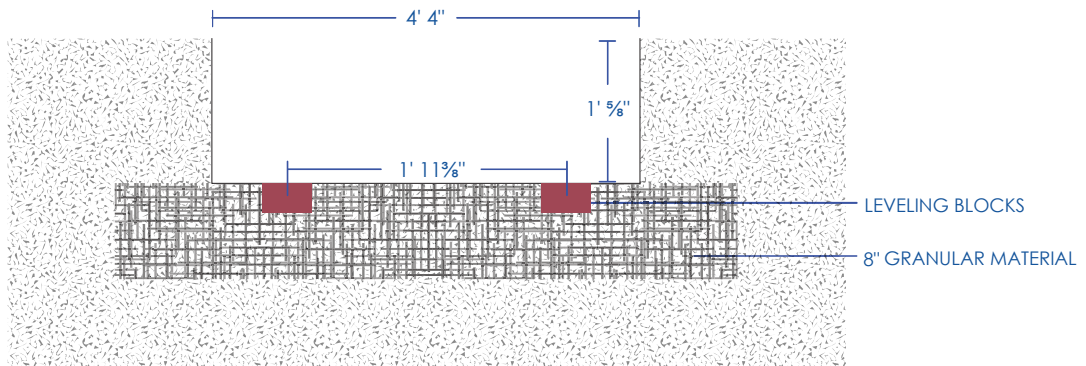
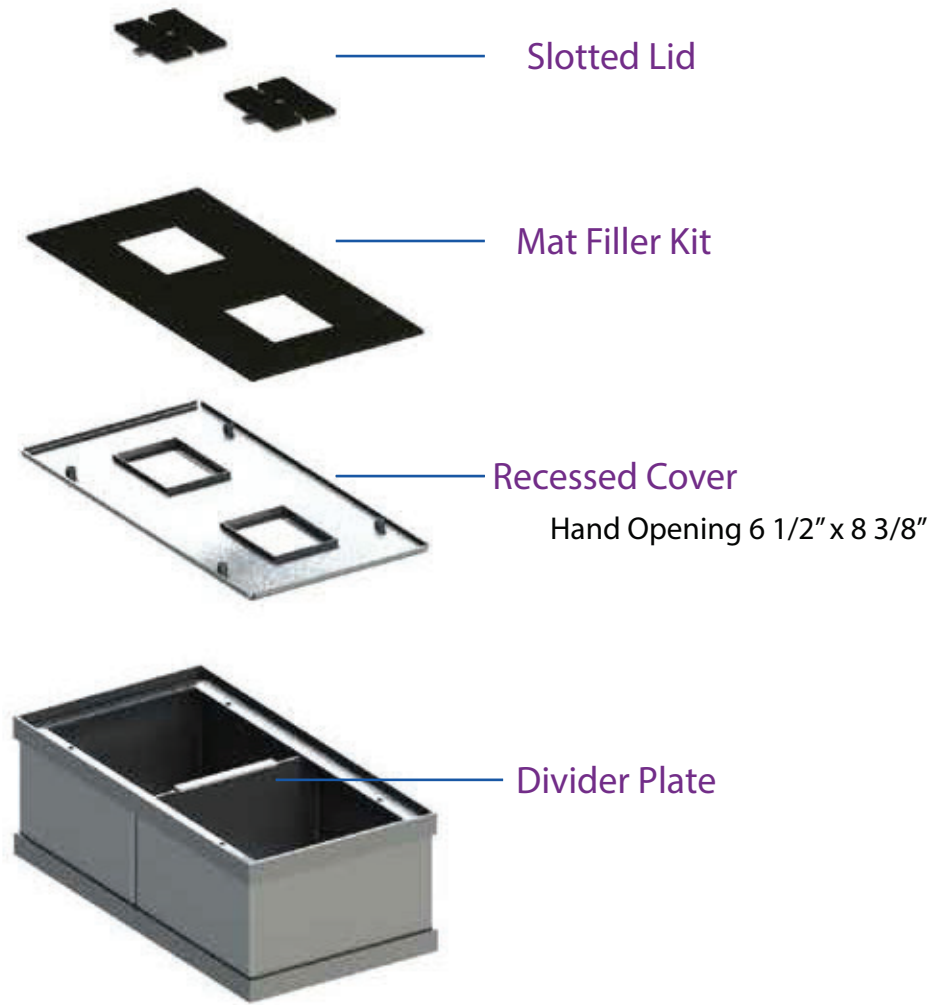
FRONT CROSS-SECTION



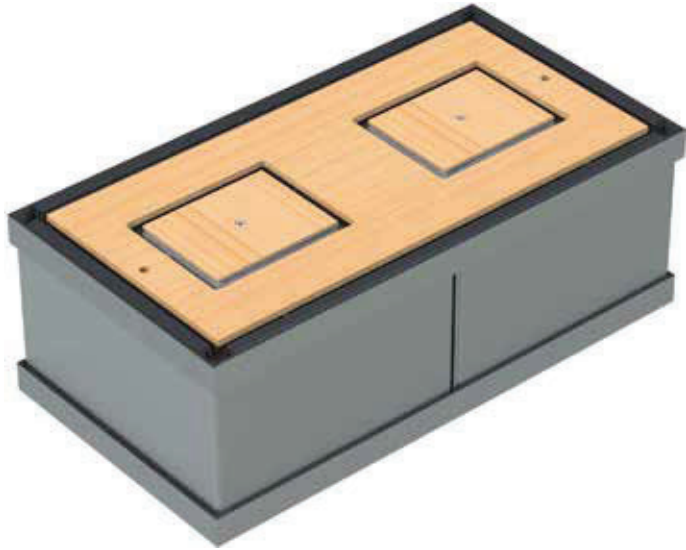
**DESCRIPTION OF COMPONENTS**

- 1/4" Aluminum
- TIG welded
- Gusseted reinforced construction
- Sealed gaskets for weather resistance
- Leveling adjusters and ground stud
- Box available with or without divider
- 24" or 36" depth available (standard depth is 12")
- Lockable solid lid for connection openings
- Mat filler kit (Mondo polyurethane track surfacing cover)

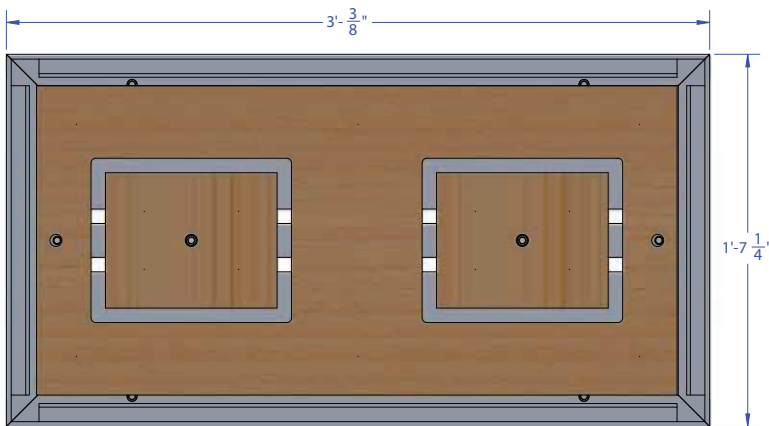




FRONT CROSS-SECTION



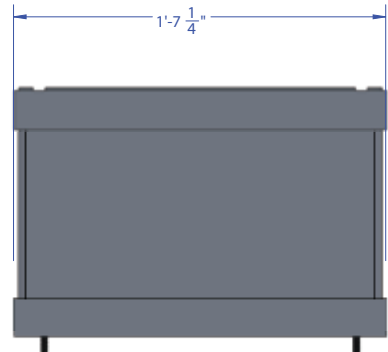
Turf installed  
by customer



TOP VIEW



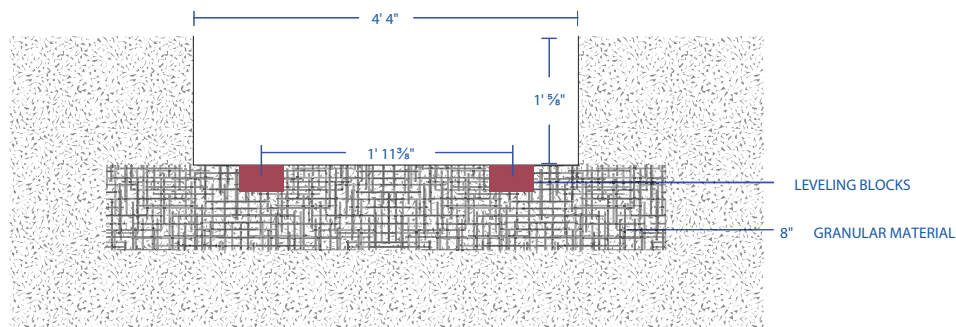
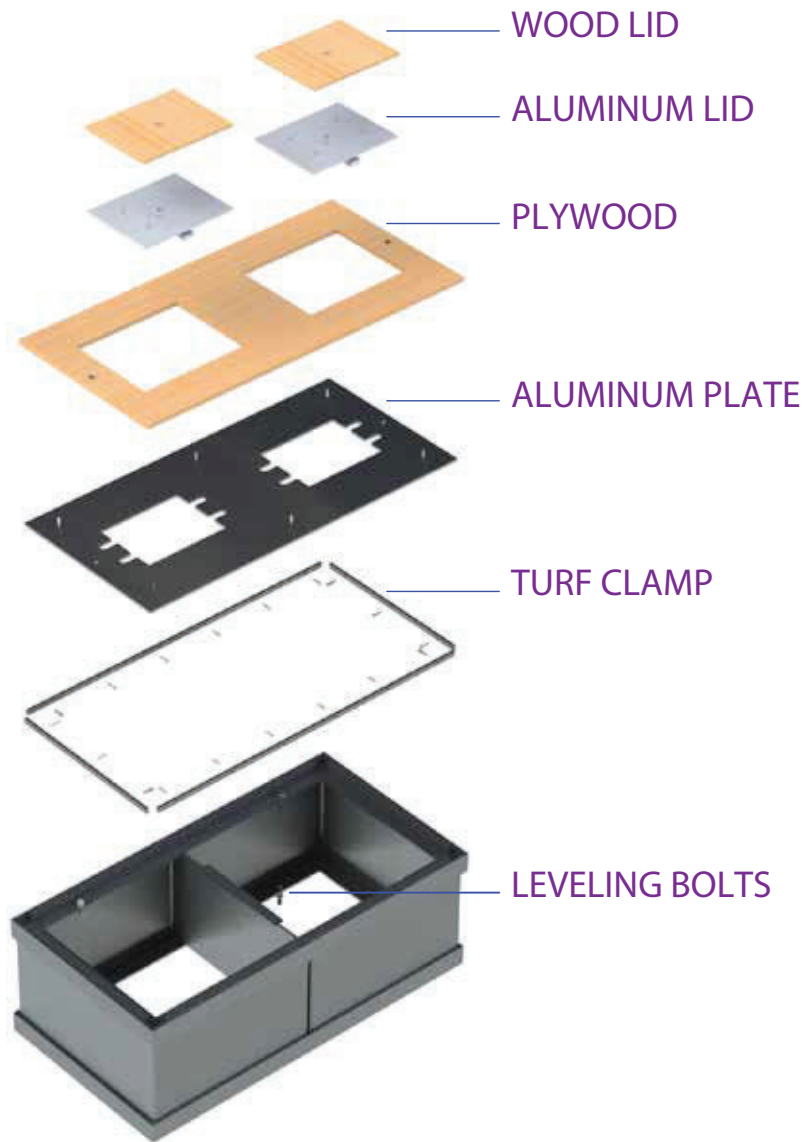
SIDE VIEWS



**DESCRIPTION OF COMPONENTS**

- 1/4" Aluminum
- TIG welded
- Gusseted reinforced construction
- Sealed gaskets for weather resistance
- Leveling adjusters and ground stud
- Box available with or without divider
- 24" or 36" depth available (standard depth is 12")
- Lockable solid lid for connection openings
- Pressure treated plywood cover onto which turf is applied
- Grass Clamp





FRONT CROSS-SECTION